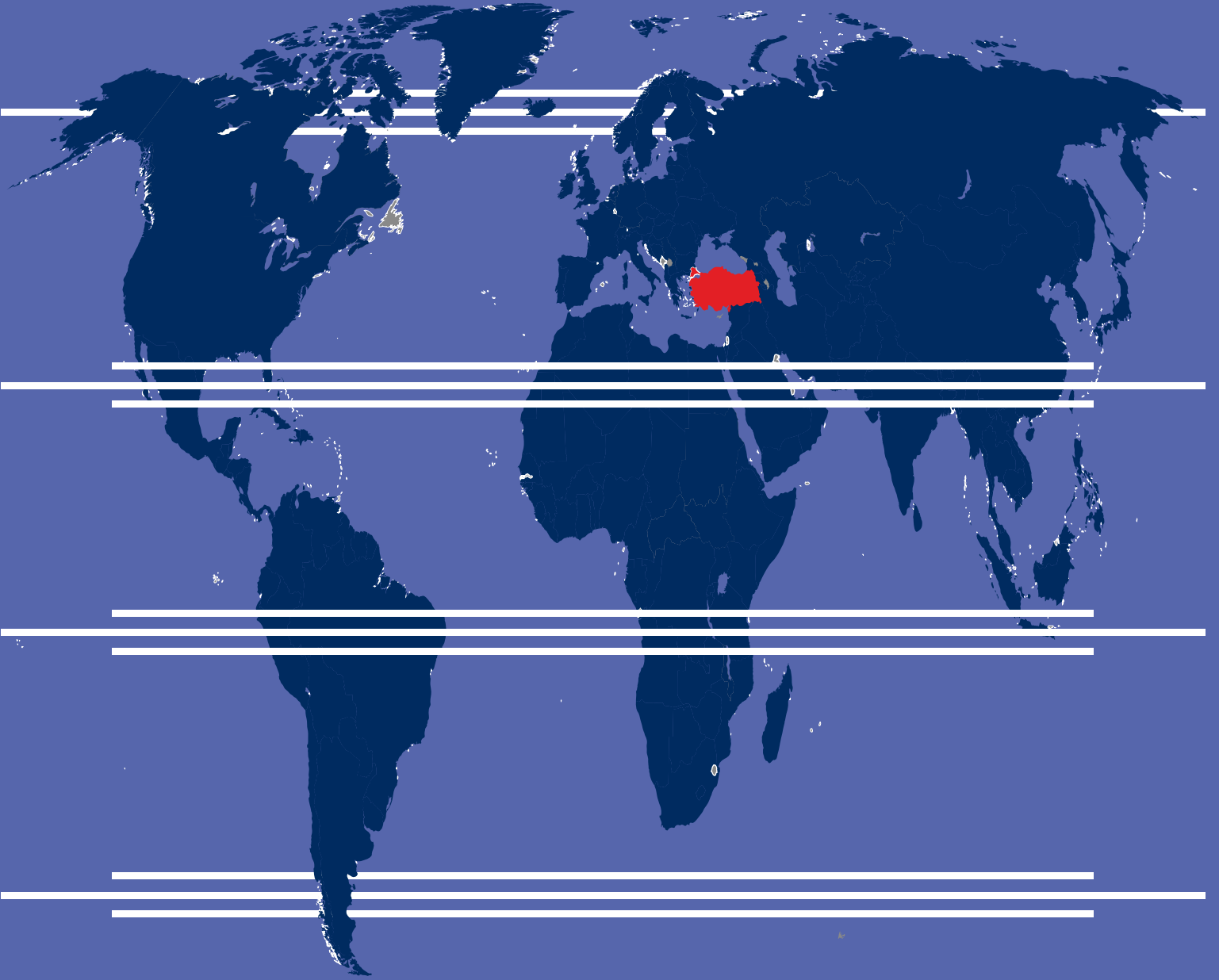


# *ENMAK*

*OTOMOTİV SAN. TİC. LTD. ŞTİ.*



[www.enmakoto.com](http://www.enmakoto.com)

# ÖNSÖZ

1980 yılında dişli imalatı sektörüne traktör ve hafif ticari araçların aktarma organları yapımı ile işe başlamıştır. 2014 yılında soğuk dövme tesisinin faaliyete geçmesiyle ağır vasıta fren sistemlerinin imalatına yönelmiş ve bu konuda uzmanlaşmıştır.

Her zaman müşteri odaklı çalışma anlayışı ön planda tutan firmamız deneyimli ekibi ve müşterilerinden aldığı güçle yolunda emin adımlarla yürümektedir.

## MİSYONUMUZ

Ürettiğimiz ürünlerle ilgili beklentileri karşılamak.

Güvenilir ürünler üretmek.

Müşterilerimizin ihtiyaçlarını en uygun fiyat, zaman ve kaliteden ödün vermeden karşılamak.

## VİZYONUMUZ

Kaliper tamir takımı üretiminde Dünyada tanınan ve tercih edilen bir marka haline gelmek.

## PREFACE

Our company has started her professional life in 1980 as a manufacturer of gear components for tractors and light commercial vehicles. In 2014 we started cold forging of spare parts for heavy vehicles and now we have been specializing in production of spare parts for trucks brake system.

Company's priorities is the customer satisfaction at each level. We get experience in a growth with our customers.

### **Mission:**

To meet expectations of our customers with products we produce;

To produce a credible goods;

To have ability to offer to our customers a good prices, a high quality and delivery at the time.

### **Vision:**

In caliper repair kits manufacturing to be a preferred trade mark of a quality around the World.

## ПРЕДИСЛОВИЕ

Наша компания начала свою профессиональную деятельность в 1980-ом году, как производитель деталей шестерни для тракторов и лёгкого коммерческого транспорта. В 2014-ом году компания перешла на новый этап, начав производство деталей холоднойковки для грузовиков. И на данный момент мы специализируемся на производстве запасных частей тормозной системы для грузового транспорта.

### **Миссия:**

Оправдать ожидания наших клиентов при производстве запасных деталей;

Производить товар, заслуживающий доверия;

Иметь возможность предложить клиентам доступные цены, высокое качество и быструю доставку.

### **Видение:**

Стать всемирно известной торговой маркой, заслуживающей доверия, в производстве суппортов.

**KNORR**

**5**

**MERITOR**

**65**

**WABCO**

**139**

**HALDEX**

**163**



# *ENMAK*



# KNORR

[www.enmakoto.com](http://www.enmakoto.com)



ENB No:	1K0001
OEM No:	
Application:	SN 6, SN 7, SK 7
Description:	Caliper Tappet Repair Kit (69mm)
1-EK15ET41	Tappet and Boot
2-EB4	Bush



ENB No:	1K0002
OEM No:	0004202382-0004204982-1689313 81508226031-1756389-K010603 K001300-K000366
Application:	SN 6, SN 6, SK 7,
Description:	Caliper Tappet Repair Kit (69mm)
1-EK15ET41	Tappet and Boot
2-EK16	Dust Cover
3-EB4	Bush



ENB No:	1K0003
OEM No:	
Application:	SN 6, SN 7, SK 7
Description:	Caliper Tappet Repair Kit (69mm)
1-EK15ET41	Tappet and Boot
2-EB4	Bush

ENB No:	1K0004
OEM No:	II370760065-A00042001382
Application:	SB 5
Description:	Caliper Tappet Repair Kit (74mm)
1-EK17ET42	Tappet and Boot
2-EB4	Bush

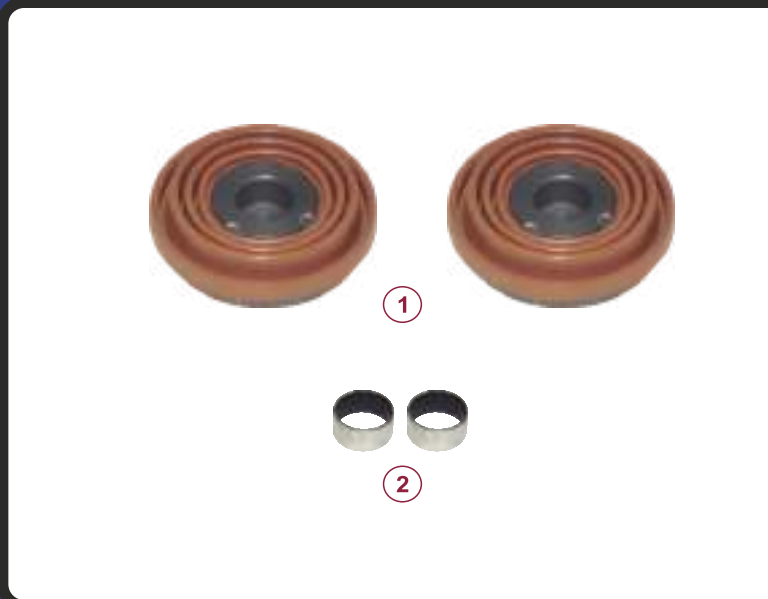


ENB No:	1K0005
OEM No:	
Application:	SB 5, SB 6, SB 7
Description:	Caliper Tappet Repair Kit (74mm)
1-EK17ET42	Tappet and Boot
2-EK18	Dust Cover
3-EB4	Bush

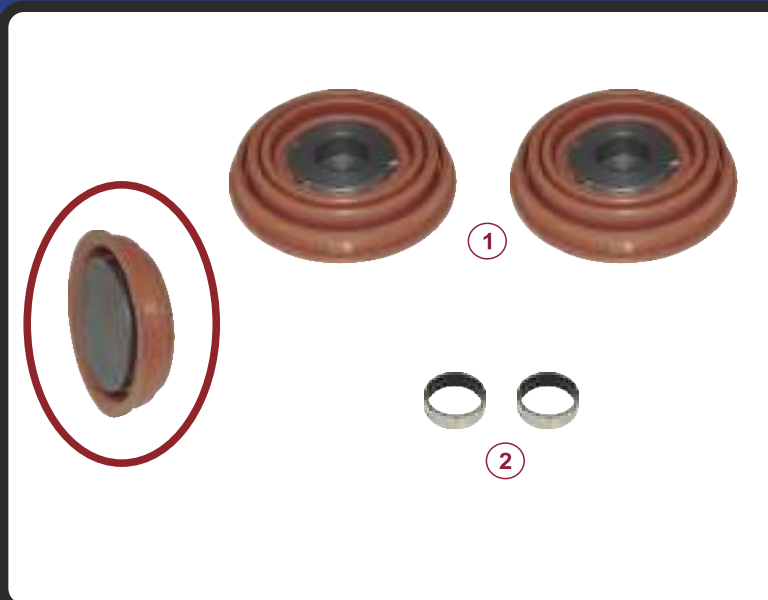


ENB No:	1K0006
OEM No:	
Application:	SB 6, SB 7
Description:	Caliper Tappet Repair Kit (74mm)
1-EK17ET42	Tappet and Boot
2-EK18	Dust Cover
3-EB4	Bush





ENB No:	1K0007
OEM No:	81508226007
Application:	SB 6, SB 7
Description:	Caliper Tappet Repair Kit (74mm)
1-EK17ET42	Tappet and Boot
2-EB4	Bush



ENB No:	1K0008
OEM No:	
Application:	SL 7, SM 7
Description:	Caliper Tappet Repair Kit (69mm)
1-EK15ET43	Tappet and Boot
2-EB5	Bush



ENB No:	1K0009
OEM No:	K046523K50
Application:	SL 7, SM 7
Description:	Caliper Tappet Repair Kit (69mm)
1-EK15ET43	Tappet and Boot
2-EK16	Dust Cover
3-EB5	Bush



ENB No:	1K0010
OEM No:	K001929-81508226027-0004204282
Application:	SN 5
Description:	Caliper Tappet Repair Kit (69mm)
1-EK15ET44	Tappet and Boot
2-EB4	Bush



1



2

ENB No:	1K0011
OEM No:	
Application:	SN 5
Description:	Caliper Tappet Repair Kit (69mm)
1-EK15ET44	Tappet and Boot
2-EK19	Dust Cover
3-EB4	Bush



1



3



2

ENB No:	1K0012
OEM No:	
Application:	SB 6, SB 7
Description:	Caliper Lever
1-ET45	Tappet and Boot





ENB No:	1K0013
OEM No:	
Application:	SB 7
Description:	Caliper Lever
1-ET46	Lever



ENB No:	1K0014
OEM No:	
Application:	Sn 7
Description:	Caliper Lever
1-ET47	Lever



ENB No:	1K0015
OEM No:	
Application:	SN 7
Description:	Caliper Lever
1-ET48	Lever

ENB No:	1K0016
OEM No:	
Application:	SL 7, SM 7
Description:	Caliper Lever
1-ET49	Lever



ENB No:	1K0017
OEM No:	
Application:	SN 6, SK 7
Description:	Caliper Lever
1-ET50	Lever



ENB No:	1K0018
OEM No:	
Application:	SN 6, SK 7
Description:	Caliper Lever
1-ET51	Lever





ENB No:	1K0019
OEM No:	
Application:	SB 6, SN 6
Description:	Caliper Lever
1-ET52	Lever



ENB No:	1K0020
OEM No:	
Application:	SB 7, SN 7
Description:	Caliper Lever
1-ET53	Lever



ENB No:	1K0021
OEM No:	
Application:	SB 7,SN 7
Description:	Caliper Lever
1-ET54	Lever

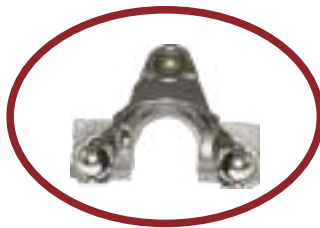
ENB No:	1K0022
OEM No:	
Application:	SB 7, SB 7
Description:	Caliper Lever
1-ET55	Lever



ENB No:	1K0023
OEM No:	
Application:	SN 6, SN 7, SK 7
Description:	Caliper Lever
1-ET56	Lever



ENB No:	1K0024
OEM No:	
Application:	SN 5
Description:	Caliper Lever
1-ET57	Lever





ENB No:	1K0025
OEM No:	
Application:	SB 5
Description:	Caliper Lever
1-ET58	Lever



ENB No:	1K0026
OEM No:	
Application:	SB 6, SB 7
Description:	Caliper Roller Bearing
1-ER1	Roller Bearing



ENB No:	1K0027
OEM No:	
Application:	SN 6,SK 7,SN 7
Description:	Caliper Roller Bearing
1-ER2	Roller Bearing

ENB No:	1K0028
OEM No:	
Application:	SB 5, SN 5
Description:	Caliper Roller Bearing
1-ER3	Roller Bearing

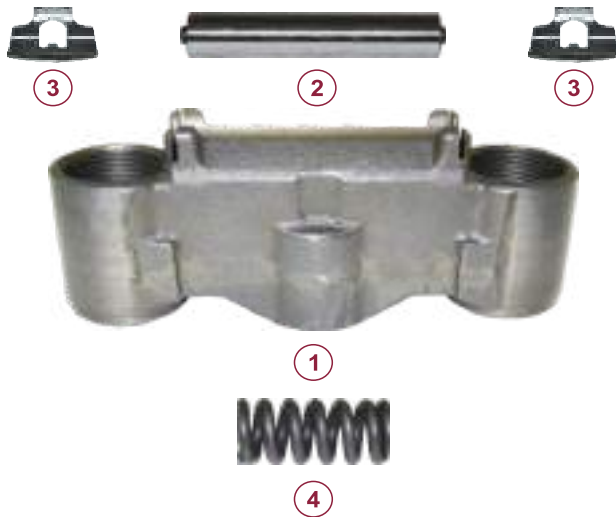


ENB No:	1K0029
OEM No:	
Application:	SL 7, SM 7
Description:	Caliper Roller Bearing
1-ER4	Roller Bearing

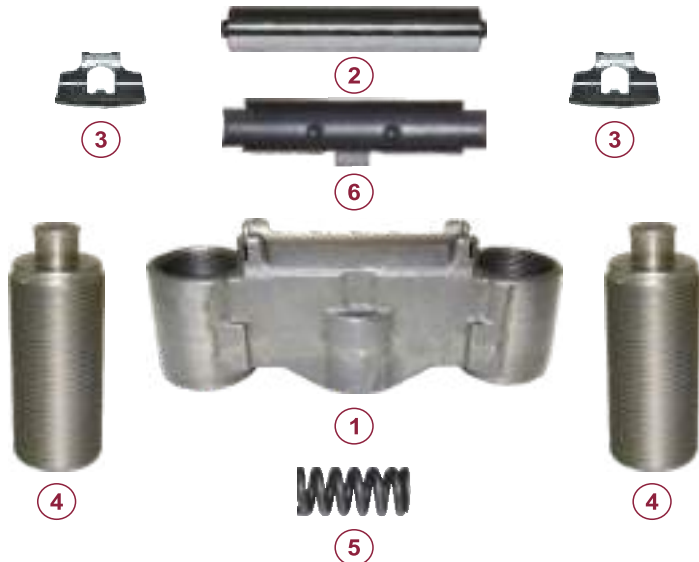


ENB No:	1K0030
OEM No:	
Application:	SN 6, SN 7
Description:	Caliper Bridge
1-ET61	Bridge
2-ET59	Lever Pin
3-ET60	Metal Sheet

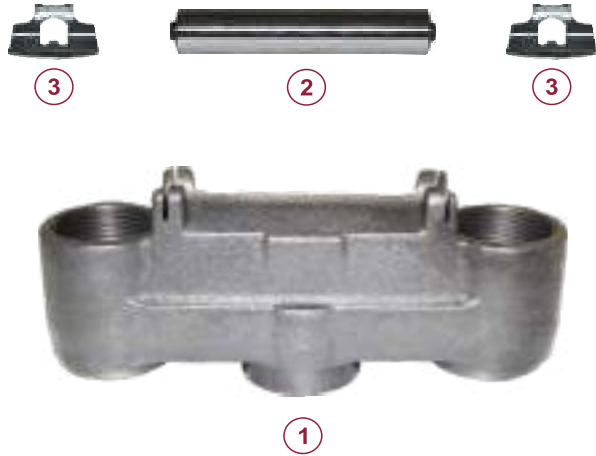




ENB No:	1K0031
OEM No:	
Application:	SN 6, SN 7
Description:	Caliper Bridge
1-ET61	Bridge
2-ET59	Lever Pin
3-ET60	Metal Sheet
4-EY1	Bridge Spring



ENB No:	1K0032
OEM No:	
Application:	SN 6, SN 7
Description:	Caliper Bridge Assembly
1-ET61	Bridge
2-ET59	Lever Pin
3-ET60	Metal Sheet
4-ET64	Calibration Bolt 3 Thread
5-EY1	Bridge Spring
6-ES10	Lever Bearing



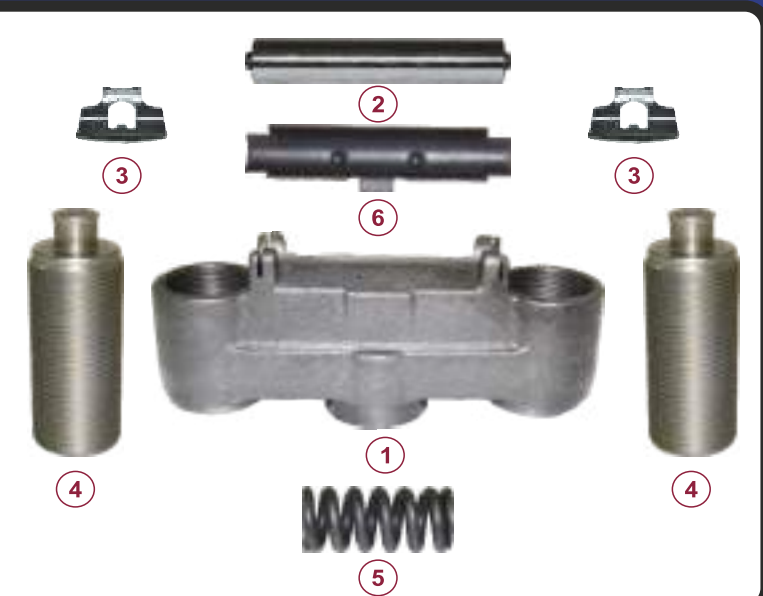
ENB No:	1K0033
OEM No:	
Application:	SB 6, SB 7
Description:	Caliper Bridge
1-ET62	Roller Bearing
2-ET59	Roller Bearing
3-ET60	Roller Bearing



ENB No:	1K0034
OEM No:	
Application:	SB 6, SB 7
Description:	Caliper Bridge
1-ET62	Bridge
2-ET59	Lever Pin
3-ET60	Metal Sheet
4-EY1	Bridge Spring



ENB No:	1K0035
OEM No:	
Application:	SB 6, SB 7
Description:	Caliper Bridge Assembly
1-ET62	Bridge
2-ET59	Lever Pin
3-ET60	Metal Sheet
4-ET64	Calibration Bolt 3Thread
5-EY1	Bridge Spring
6-ES10	Lever Bearing



ENB No:	1K0036
OEM No:	
Application:	SB 7
Description:	Caliper Bridge Assembly
1-ET62	Bridge
2-ET59	Lever Pin
3-ET60	Metal Sheet
4-EY2	Bridge Spring
5-EY3	Bridge Spring





ENB No:	1K0037
OEM No:	
Application:	SB 7
Description:	Caliper Bridge Assembly
1-ET62	Bridge
2-ET59	Lever Pin
3-ET60	Metal Sheet
4-ET64	Calibration Bolt 3 Thread
5-EY2	Bridge Spring
6-EY3	Bridge Spring
7-ES10	Lever Bearing



ENB No:	1K0038
OEM No:	
Application:	SB 7, Sn 6, SN 7, SK 7
Description:	Caliper Bridge
1-ET63	Bridge



ENB No:	1K0039
OEM No:	
Application:	SB 7, SN 6, SN 7, AK 7
Description:	Caliper Bridge
1-ET63	Bridge
2-EY1	Bridge Spring

ENB No:	1K0040
OEM No:	
Application:	SB 7, SN 6, SN 7, SK 7
Description:	Caliper Bridge Assembly
1-ET63	Bridge
2-ET64	Calibration Bolt 3 Thread
3-EY1	Bridge Spring



ENB No:	1K0041
OEM No:	
Application:	SL 7, SM 7
Description:	Caliper Bridge Assembly
1-ET63	Bridge
2-ET65	Calibration Bolt 3 Thread
3-EY1	Bridge Spring



ENB No:	1K0042
OEM No:	
Application:	SB 5
Description:	Caliper Bridge Assembly
1-ET67	Bridge
2-ET64	Calibration Bolt 3 Thread
3-EY4	Bridge Spring





ENB No:	1K0043
OEM No:	
Application:	SB 5
Description:	Caliper Bridge
1-ET67	Bridge
2-EY4	Bridge Spring



ENB No:	1K0043
OEM No:	
Application:	SB 5
Description:	Caliper Bridge
1-ET67	Bridge



ENB No:	1K0045
OEM No:	
Application:	SN 5
Description:	Caliper Bridge Assembly
1-ET66	Bridge
2-ET64	Calibration Bolt 3Thread
3-EY4	Bridge Spring

ENB No:	1K0046
OEM No:	
Application:	SN 5
Description:	Caliper Bridge
1-ET66	Bridge
2-EY4	Bridge Spring



ENB No:	1K0047
OEM No:	
Application:	SN 5
Description:	Caliper Bridge
1-ET66	Bridge



ENB No:	1K0048
OEM No:	
Application:	SB, SN, SK
Description:	Caliper Calibration Bolt 3 Thread
1-ET64	Calibration Bolt 3 Thread





ENB No:	1K0049
OEM No:	
Application:	SL SM
Description:	Caliper Calibration Bolt 3 Thread
1-ET65	Calibration BOLT 3 Thread



ENB No:	1K0050
OEM No:	
Application:	SB, SN, SK, SL, SM
Description:	Caliper Adjusting Mechanism
1-ET68	Adjusting Mechanism
2-ET75	Mechanism Gear
3-ET76	Calibration Loaf



ENB No:	1K0051
OEM No:	
Application:	SB, SN, SK, SL, SM
Description:	Caliper Adjusting Mechanism
1-ET102	Adjusting Mechanism
2-ET75	Mechanism Gear

ENB No:	1K0052
OEM No:	
Application:	SB 5, SN 5
Description:	Caliper Adjusting Mechanism
1-ET69	Adjusting Mechanism
2-ET75	Mechanism Gear



ENB No:	1K0053
OEM No:	
Application:	SB 6, SB 7, SN 6, SN 7, SK 7
Description:	Caliper Adjusting Mechanism
1-ET70	Adjusting Mechanism



ENB No:	1K0054
OEM No:	
Application:	SB 6, SB 7, SN 6, SN 7, SK 7
Description:	Caliper Adjusting Mechanism
1-ET71	Adjusting Mechanism





ENB No:	1K0055
OEM No:	
Application:	SN 6, SN 7, SK 7
Description:	Caliper Adjusting Mechanism
1-ET72	Adjusting Mechanism



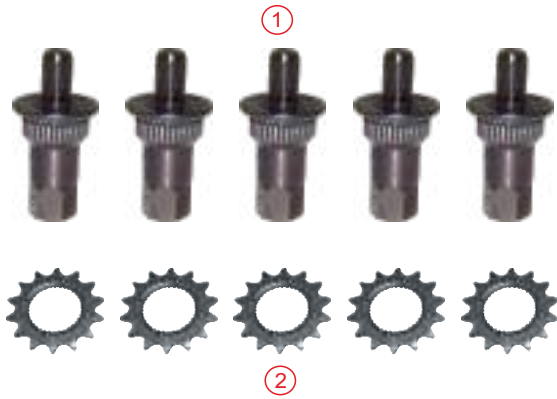
ENB No:	1K0056
OEM No:	
Application:	SN 6, SN 7, SK 7
Description:	Caliper Adjusting Mechanism
1-ET73	Adjusting Mechanism



ENB No:	1K0057
OEM No:	
Application:	SN 6, SN 7, SK 7
Description:	Caliper Adjusting Mechanism
1-ET74	Adjusting Mechanism
2-ET75	Mechanism Gear



ENB No:	1K0058
OEM No:	
Application:	SB 5, SN 5
Description:	Caliper Pinion Shaft
1-ET78	Pinion Shaft
2-ET75	Mechanism Gear



ENB No:	1K0059
OEM No:	
Application:	SB 5, SN 5
Description:	Caliper Pinion Shaft
1-ET77	Pinion Shaft



ENB No:	1K0060
OEM No:	
Application:	SB, SN, SK, SL, SM
Description:	Caliper Mechanism Gear
1-ET75	Mechanism Gear





ENB No:	1K0061
OEM No:	Z001548
Application:	SB, SN, SK, SL, SM
Description:	Caliper Calibration Loaf
1-ET76	Calibration Loaf



ENB No:	1K0062
OEM No:	
Application:	SN 5
Description:	Caliper Chain
1-ET79	Caliper Chain 12 Link



ENB No:	1K0063
OEM No:	
Application:	SB 5
Description:	Caliper Chain
1-ET80	Caliper Chain 14 Link

ENB No:	1K0064
OEM No:	
Application:	SB 6, SB 7, SN 6, SN 7,SK 7, SL 7, SM 7
Description:	Caliper Chain
1-ET81	Caliper Chain 29 Link



ENB No:	1K0065
OEM No:	
Application:	SB, SK, SN
Description:	Caliper Sensor Cover (Without Sensor)
1-EP1	Sensor Cover



ENB No:	1K0066
OEM No:	
Application:	SB, SK, SN
Description:	Caliper Sensor Cover (3 Socket-2 Cable)
1-EP2	Sensor Cover
2-EP21	Clip





ENB No:	1K0067
OEM No:	
Application:	SB, SK, SN
Description:	Caliper Sensor Cover (3 Socket - 3 Cable) Mercedes)
1-EP3	Sensor Cover
2-EP21	Clip



ENB No:	1K0068
OEM No:	
Application:	SB, SN
Description:	Caliper Sensor Cover (3 Socket - 3 Cable) (Man)
1-EP4	Sensor Cover
2-EP21	Clip



ENB No:	1K0069
OEM No:	
Application:	SK, SN
Description:	Caliper Sensor Cover (Without Sensor )
1-EP75	Sensor Cover

ENB No:	1K0070
OEM No:	
Application:	SK, SN
Description:	Caliper Sensor Cover (3 Socket - 2 Cable)
1-EP6	Sensor Cover
2-EP21	Clip



ENB No:	1K0071
OEM No:	
Application:	SK, SN
Description:	Caliper Sensor Cover (3 Socket - 3 Cable) (Scania)
1-EP7	Sensor Cover
2-EP21	Clip



ENB No:	1K0072
OEM No:	
Application:	SB 6, SB 7
Description:	Caliper Sensor Cover (Without Sensor)
1-EP8	Sensor Cover





①



②

ENB No:	1K0073
OEM No:	
Application:	SK, SN
Description:	Caliper Sensor Cover (3 Socket - 3 Cable)
1-EP9	Sensor Cover
2-EP20	Sensor Pin (Plastic)



①



②

ENB No:	1K0074
OEM No:	
Application:	SK, SN
Description:	Caliper Sensor Cover (3 Socket - 3 Cable)
1-EP10	Sensor Cover
2-EP20	Sensor Pin (Plastic)



ENB No:	1K0075
OEM No:	
Application:	SB 6, SB 7
Description:	Caliper Sensor Cover (Without Sensor )
1-EP11	Sensor Cover

ENB No:	1K0076
OEM No:	
Application:	SK, SN
Description:	Caliper Sensor Cover (3 Socket - 2 Cable)
1-EP12	Sensor Cover
2-EP20	Sensor Pin (Plastic)



ENB No:	1K0077
OEM No:	
Application:	SK, SN
Description:	Caliper Sensor Cover (3 Socket - 3 Cable)
1-EP13	Sensor Cover
2-EP20	Sensor Pin (Plastic)



ENB No:	1K0078
OEM No:	
Application:	SN 5
Description:	Caliper Sensor Cover (Without Sensor)
1-EP14	Sensor Cover





①



②

ENB No: 1K0079

OEM No:

Application: SN 5

Description: Caliper Sensor Cover (3 Socket - 2 Cable)

1-EP15 Sensor Cover  
2-EP23 Sensor Pin (Plastic)



①



②

ENB No: 1K0080

OEM No:

Application: SN 5

Description: Caliper Sensor Cover (3 Socket - 3 Cable)

1-EP16 Sensor Cover  
2-EP23 Sensor Pin (Plastic)



ENB No: 1K0081

OEM No:

Application: SB 5

Description: Caliper Sensor Cover (Without Sensor )

1-EP17 Sensor Cover



ENB No:	1K0082
OEM No:	
Application:	SB 5
Description:	Caliper Sensor Cover (3 Socket - 2 Cable)
1-EP18	Sensor Cover
2-EP21	Clip



①



②

ENB No:	1K0083
OEM No:	
Application:	SB 5
Description:	Caliper Sensor Cover (3 Socket - 3 Cable)
1-EP19	Sensor Cover
2-EP21	Clip



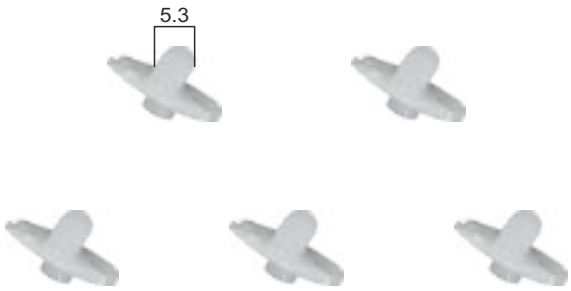
①



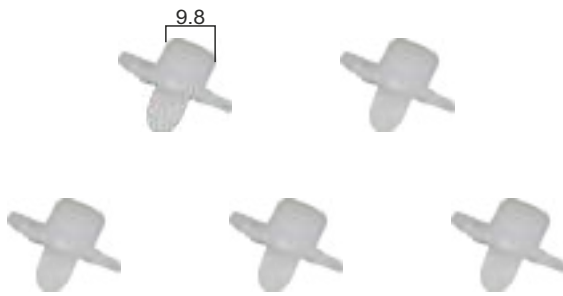
②

ENB No:	1K0084
OEM No:	
Application:	SK, SN
Description:	Caliper Sensor Pin (Long)
1-EP20	Sensor Pin (Plastic)





ENB No:	1K0085
OEM No:	
Application:	SB, SN, SK, SL, SM
Description:	Caliper Sensor Clip
1-EP21	Clip



ENB No:	1K0086
OEM No:	
Application:	SN 6, SN 7, SK 7
Description:	Caliper Sensor Clip
1-EP22	Sensor Clip



ENB No:	1K0087
OEM No:	
Application:	Sn 5
Description:	Caliper Sensor Pin (Short)
1-EP23	Sensor Pin (Plastic)

ENB No:	1K0088
OEM No:	
Application:	SN 6, SN 7, SK 7
Description:	Caliper Cover
1-ES12	Cover
2-EC9	Cover Screw



1

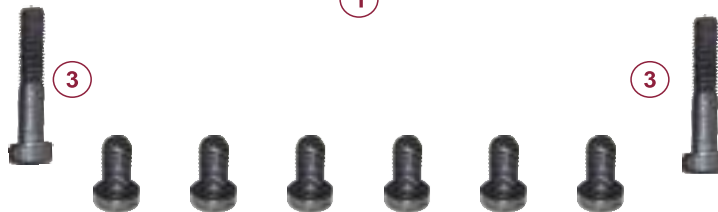


2

ENB No:	1K0089
OEM No:	
Application:	SN 6, SN 7
Description:	Caliper Cover
1-ES75	Cover
2-EC9	Cover Screw
3-EC10	Cover Screw



1



2

3

3

ENB No:	1K0090
OEM No:	
Application:	SN 5
Description:	Caliper Cover
1-ES13	Cover
2-EC9	Cover Screw



1



2



ENB No:	1K0091
OEM No:	
Application:	SN 5
Description:	Caliper Cover
1-ES13	Cover
2-EC9	Cover Screw
3-EK19	Dust Cover



ENB No:	1K0092
OEM No:	
Application:	SN 5
Description:	Caliper Dust Cover
1-EK19	Dust Cover



ENB No:	1K0093
OEM No:	
Application:	Sn 5
Description:	Caliper Sensor Pin (Short)
1-ET7	Guide Pin 36*145mm
2-EC8	Screw 16*1,5*150mm
3-ET6	Guide Pin 36*114mm
4-EC3	Screw 16*1,5*87mm
5-ET2	Guide Pin 34*80mm
6-EK7	Boot
7-EP24	Teflon Ring
8-EK3	Boot
9-ES77	Clamp
10-EK4	Rubber Cap (38mm)
11-EK6	Rubber Tap
12-ES4	Metal Cap
13-EK9	O-ring
14-ET6	Calibration Loaf
15-EK2	Rubber Bush
16-EB1	Bush

ENB No: 1K0094

OEM No: K000365-0004202282

Application: SB 7

Description: Caliper Repair Kit

1-ET6	Guide Pin 36*114mm
2-EC3	Screw 16*1,5*87mm
3-ET1	Guide Pin 32*87mm
4-EC1	Screw 16*1,5*80mm
5-ET2	Guide Pin 34*80mm
6-EB1	Bush
7-EK2	Rubber Bush
8-EK23	Metal-Rubber Bush (Short) (39mm)
9-ES4	Metal Cap
10-EK9	O-ring
11-EK7	Boot
12-EP24	Teflon Ring
13-ES1	Metal Tap



ENB No: 1K0095

OEM No: K001470-0004203482

Application: SB 7

Description: Caliper Repair Kit

1-ET6	Guide Pin 36*114mm
2-EC3	Screw 16*1,5*87mm
3-ET1	Guide Pin 32*87mm
4-EC1	Screw 16*1,5*80mm
5-ET2	Guide Pin 34*80mm
6-EB1	Bush
7-EK2	Rubber Bush
8-EK22	Metal-Rubber Bush (Long) (39mm)
9-ES4	Metal Cap
10-EK9	O-ring
11-EK7	Boot
12-EP24	Teflon Ring
13-ES1	Metal Tap
14-ES2	Pin Tap





ENB No:	1K0096
OEM No:	81508226009
Application:	SB 6, SB 7
Description:	Caliper Repair Kit
1-ET7	Guide Pin 36*145mm
2-EC8	Screw 16*1,5*150mm
3-ET2	Guide Pin 34*80mm
4-EC3	Screw 16*1,5*87mm
5-EK2	Rubber Bush
6-EK7	Boot
7-EP24	Teflon Ring
8-EK3	Boot
9-ES77	Clamp
10-EB1	Bush



ENB No:	1K0097
OEM No:	K000687 - 1603326
Application:	SB 7, SN 7
Description:	Caliper Repair Kit
1-ET7	Guide Pin 36*145mm
2-EC8	Screw 16*1,5*150mm
3-ET1	Guide Pin 32*80mm
4-EC1	Screw 16*1,5*80mm
5-EK7	Boot
6-EP24	Teflon Ring
7-EK23	Metal Rubber Bush (Short)- (.39mm)
8-EK3	Boot
9-ES77	Clamp
10-EB1	Bush



ENB No:	1K0098
OEM No:	K000935
Application:	SB 6, SB 7
Description:	Caliper Repair Kit
1-ET7	Guide Pin 36*145mm
2-EC8	Screw 16*1,5*150mm
3-EK7	Boot
4-EP24	Teflon Ring
5-EK3	Boot
6-ES77	Clamp
7-EB1	Bush

ENB No:	1K0099
OEM No:	0004201182 - 0501211047 - li358510062 1415149
Application:	SB 7
Description:	Caliper Repair Kit
1-ET7	Guide Pin 36*145mm
2-EC8	Screw 16*1,5*150mm
3-ET10	Guide Pin 34*120mm
4-EC7	Screw 16*1,5*125mm
5-EK3	Boot
6-ES77	Clamp
7-EK20	Rubber Bush
8-EB1	Bush
9-EK7	Boot
10-EP24	Teflon Ring



ENB No:	1K0100
OEM No:	
Application:	SB 6, SB 7, SN 7
Description:	Caliper Repair Kit
1-ET7	Guide Pin 36*145mm
2-EC8	Screw 16*1,5*150mm
3-ET2	Guide Pin 34*80mm
4-EC3	Screw 16*1,5*87mm
5-EB1	Bush
6-EK2	Rubber Bush



ENB No:	1K0101
OEM No:	K000132 - li304130062 - 97131439
Application:	SB 6, SB 7
Description:	Caliper Repair Kit
1-ET5	Guide Pin 36*135mm
2-EC6	Screw 16*1,5*140mm
3-ET2	Guide Pin 34*80mm
4-EC3	Screw 16*1,5*87mm
5-EK2	Rubber Bush
6-EK3	Boot
7-ES77	Clamp
8-EK7	Boot
9-EP24	Teflon Ring
10-EB1	Bush





ENB No:	1K0102
OEM No:	li179320062
Application:	SB 7
Description:	Caliper Repair Kit
1-ET5	Guide Pin 36*135mm
2-EC6	Screw 16*1,5*140mm
3-ET10	Guide Pin 34*120mm
4-EC7	Screw 16*1,5*125mm
5-EK20	Rubber Bush
6-EK82	Boot
7-EK8	Boot
8-ES77	Clamp
9-EB1	Bush



ENB No:	1K0103
OEM No:	li197140062
Application:	SB 7
Description:	Caliper Repair Kit
1-ET5	Guide Pin 36*135mm
2-EC6	Screw 16*1,5*140mm
3-ET10	Guide Pin 34*80mm
4-EC7	Screw 16*1,5*87mm
5-EK20	Rubber Bush
6-EK82	Boot
7-EK8	Clamp
8-ES77	Rubber Cap
9-EB1	Bush



ENB No:	1K0104
OEM No:	li197330062 - 1390426
Application:	SB 7
Description:	Caliper Repair Kit
1-ET5	Guide Pin 36*135mm
2-EC6	Screw 16*1,5*140mm
3-ET2	Guide Pin 34*80mm
4-EC3	Screw 16*1,5*87mm
5-EK2	Rubber Bush
6-EK82	Boot
7-EK8	Boot
8-ES77	Clamp
9-EB1	Bush



ENB No:	1K0105
OEM No:	K031844K50 - 1906779
Application:	SB 6, SB 7
Description:	Caliper Repair Kit
1-ET6	Guide Pin 36*114mm
2-EC3	Screw 16*1,5*87mm
3-ET3	Guide Pin 32*84mm
4-EC1	Screw 16*1,5*80mm
5-EK7	Boot
6-EP24	Teflon Ring
7-EB1	Bush
8-ES4	Metal Cap
9-EK9	O-Ring
10-ES1	Metal Cap
11-EK24	Metal-Rubber Bush (Short)
12-EK25	Boot
13-EP25	Teflon Ring
14-ES78	Metal Tap



ENB No:	1K0106
OEM No:	K067417K50
Application:	SB 6, SB 7, SN 7
Description:	Caliper Repair Kit
1-ET6	Guide Pin 36*114mm
2-EC3	Screw 16*1,5*87mm
3-ET1	Guide Pin 32*87mm
4-EC1	Screw 16*1,5*80mm
5-ES4	Guide Pin 34*80mm
6-EK9	Bush
7-EK21	Rubber Bush
8-ET82	Metal-Rubber Bush (Long) (39mm)
9-ES2	Metal Cap
10-EK7	O-ring
11-EP24	Boot
12-EB1	Teflon Ring
13-ES1	Metal Tap





ENB No:	1K0107
OEM No:	K000472 - 42541412 - 81508226019
Application:	SN 6, SN 7, SK 7
Description:	Caliper Repair Kit (Old Model)
1-ET6	Guide Pin 36*114mm
2-EC3	Screw 16*1,5*87mm
3-ET1	Guide Pin 32*80mm
4-EC1	Screw 16*1,5*80mm
5-EK7	Boot
6-EP24	Teflon Ring
7-ES2	Pin Cap
8-ES1	Metal Tap
9-EK22	Metal-Rubber Bush (Long) (39mm)
10-EB1	Bush



ENB No:	1K0108
OEM No:	K000472 - 42541412 - 81508226019
Application:	SN 6, SN 7, SK 7, SL 7, SM 7
Description:	Caliper Repair Kit (New Model)
1-ET6	Guide Pin 36*114mm
2-EC3	Screw 16*1,5*87mm
3-ET4	Guide Pin 32*88,50mm
4-EC1	Screw 16*1,5*80mm
5-EK7	Boot
6-EP24	Teflon Ring
7-ES1	Metal Tap
8-EK22	Metal-Rubber Bush (Long) (39mm)
9-EB1	Bush

ENB No:	1K0109
OEM No:	K000375
Application:	SB 6, SB 7
Description:	Caliper Repair Kit (Old Model)
1-ET6	Guide Pin 36*114mm
2-EC3	Screw 16*1,5*87mm
3-ET1	Guide Pin 32*80mm
4-EC1	Screw 16*1,5*80mm
5-ES4	Metal Cap
6-EK9	O-Ring
7-ES2	Pin Cap
8-EK22	Metal- Rubber Bush (Long) (39mm)
9-EK7	Boot
10-EP24	Teflon Ring
11-EB1	Bush



ENB No:	1K0110
OEM No:	K000375
Application:	SB 6, SB 7
Description:	Caliper Repair Kit (New Model)
1-ET6	Guide Pin 36*114mm
2-EC3	Screw 16*1,5*87mm
3-ET4	Guide Pin 32*88,5mm
4-EC1	Screw 16*1,5*80mm
5-ES4	Metal Cap
6-EK9	O-Ring
7-EK22	Metal Rubber Bush (Long) (39mm)
8-EK7	Boot
9-EP24	Teflon Ring
10-EB1	Bush



ENB No:	1K0111
OEM No:	K001532
Application:	SB 7
Description:	Caliper Repair Kit (Old Model)
1-ET6	Guide Pin 36*114mm
2-EC3	Screw 16*1,5*87mm
3-ET1	Guide Pin 32*80mm
4-EC1	Screw 16*1,5*80mm
5-ES4	Metal Cap
6-EK9	O-Ring
7-ES2	Pin Cap
8-EK21	Metal Rubber Bush (Long) (35mm)
9-EK7	Boot
10-EP24	Teflon Ring
11-EB1	Bush





ENB No:	1K0112
OEM No:	K001532
Application:	SB 7
Description:	Caliper Repair Kit (New Model)
1-ET6	Guide Pin 36*114mm
2-EC3	Screw 16*1,5*87mm
3-ET4	Guide Pin 32*88,50mm
4-EC1	Screw 16*1,5*80mm
5-ES4	Metal Cap
6-EK9	O-Ring
7-EK21	Metal Rubber Bush (Long) (35mm)
8-EK7	Boot
9-EP24	Teflon Ring
10-EB1	Bush



ENB No:	1K0113
OEM No:	II39769F0062 - 42537451
Application:	SB 6, SB 7
Description:	Caliper Repair Kit
1-ET5	Guide Pin 36*114mm
2-EC3	Screw 16*1,5*87mm
3-ET2	Guide Pin 34*80mm
4-EK7	Boot
5-EP24	Teflon Ring
6-ES4	Metal Cap
7-EK9	O-Ring
8-EB1	Bush
9-EK2	Rubber Bush



ENB No:	1K0114
OEM No:	K001915 - K028451
Application:	SN 6, SN 7, SL 7, SM 7
Description:	Caliper Repair Kit
1-ET6	Guide Pin 36*114mm
2-EC3	Screw 16*1,5*87mm
3-ET1	Guide Pin 32*80mm
4-EC1	Screw 16*1,5*80mm
5-EK7	Boot
6-EP24	Teflon Ring
7-ES1	Metal Tap
8-EK23	Metal Rubber Bush (Short) (39mm)
9-EB1	Bush

ENB No:	1K0115
OEM No:	3434382000
Application:	SN, SB
Description:	Caliper Repair Kit
1-ET6	Guide Pin 36*114mm
2-EC3	Screw 16*1,5*87mm
3-ET1	Guide Pin 32*80mm
4-EC1	Screw 16*1,5*80mm
5-ES4	Metal Cap
6-EK9	O-Ring
7-EK88	Metal Rubber Bush (Short) (35mm)
8-ET82	Ring (39mm)
9-EK7	Boot
10-EP24	Teflon Ring
11-EB1	Bush
12-ES1	Metal Tap



ENB No:	1K0116
OEM No:	K048371K50
Application:	SB 6, SB 7
Description:	Caliper Repair Kit
1-ET6	Guide Pin 36*114mm
2-EC3	Screw 16*1,5*87mm
3-ET1	Guide Pin 32*80mm
4-EC1	Screw 16*1,5*80mm
5-ES4	Metal Tap
6-EK9	O-Ring
7-EK23	Metal Rubber Bush (Short) (39mm)
8-EK7	Boot
9-EP24	Teflon Ring
10-EB1	Bush





ENB No:	1K0117
OEM No:	K048396K50
Application:	SB 6, SB 7
Description:	Caliper Repair Kit
1-ET6	Guide Pin 36*114mm
2-EC3	Screw 16*1,5*87mm
3-ET1	Guide Pin 32*80mm
4-EC1	Screw 16*1,5*80mm
5-ES4	Metal Cap
6-EK9	O-Ring
7-EK88	Metal Rubber Bush (Short) (35mm)
8-EK7	Boot
9-EP24	Teflon Ring
10-EB1	Bush



ENB No:	1K0118
OEM No:	K010766 - 0004205082 - K004100 3434381500
Application:	SK 6, SK 7, SN 7
Description:	Caliper Repair Kit
1-ET6	Guide Pin 36*114mm
2-EC3	Screw 16*1,5*87mm
3-ET9	Guide Pin 36*64mm
4-EC2	Screw 16*1,5*70mm
5-EB1	Bush
6-EB2	Bush
7-EK7	Boot
8-EP24	Teflon Ring
9-ES1	Metal Tap
10-ES3	Metal Tap



ENB No:	1K0119
OEM No:	K010813
Application:	SB 7
Description:	Caliper Repair Kit
1-ET6	Guide Pin 36*114mm
2-EC3	Screw 16*1,5*87mm
3-ET9	Guide Pin 36*64mm
4-EC2	Screw 16*1,5*70mm
5-EB1	Bush
6-EB2	Bush
7-EK7	Boot
8-EP24	Teflon Ring
9-ES3	Metal Tap
10-ES4	Metal Tap
11-EK9	O-Ring

ENB No:	1K0120
OEM No:	K001274
Application:	SB 5, SN 5
Description:	Caliper Repair Kit
1-ET8	Guide Pin 36*103mm
2-EC3	Screw 16*1,5*87mm
3-ET1	Guide Pin 32*80mm
4-EC1	Screw 16*1,5*80mm
5-EK22	Metal Rubber Bush (Long) (39mm)
6-EK7	Boot
7-EP24	Teflon Ring
8-ES2	Pin Cap
9-ES1	Metal Tap
10-EB17	Bush



ENB No:	1K0121
OEM No:	K001925 - 0004204382
Application:	SB 5, SN 5
Description:	Caliper Repair Kit
1-ET8	Guide Pin 36*103mm
2-EC3	Screw 16*1,5*87mm
3-ET1	Guide Pin 32*80mm
4-EC1	Screw 16*1,5*80mm
5-EK23	Metal Rubber Bush (Long) (39mm)
6-EK7	Boot
7-EP24	Teflon Ring
8-ES1	Metal Tap
9-EB17	Bush



ENB No:	1K0122
OEM No:	K001928 - 81508226026
Application:	SN 5
Description:	Caliper Repair Kit
1-ET11	Guide Pin 30*99mm
2-EC4	Screw 16*1,5*105mm
3-ET12	Guide Pin 30*72mm
4-EC5	Screw 16*1,5*75mm
5-EB6	Bush
6-EB3	Bush
7-EK1	Boot
8-EP26	Ring (Plastic)
9-ES5	Metal Tap

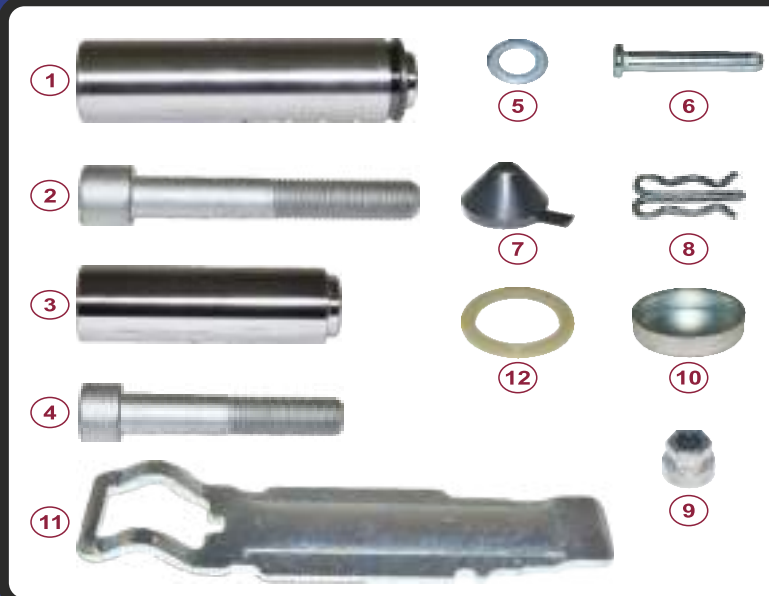




ENB No:	1K0123
OEM No:	0024200383 - 0980102970 - K000696 II310370066
Application:	SB 6, SN 7
Description:	Caliper Repair Kit
1-ET6	Guide Pin 36*114mm
2-EC3	Screw 16*1,5*87mm
3-EB1	Bush
4-ES4	Metal Cap
5-EK9	O-Ring
6-EK7	Boot
7-EP24	Teflon Ring



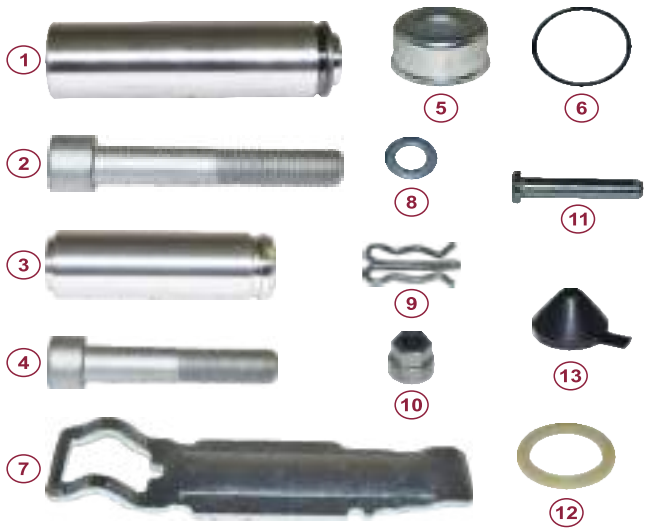
ENB No:	1K0124
OEM No:	K013007
Application:	SK 7, SN 7
Description:	Caliper Repair Kit
1-ET6	Guide Pin 36*114mm
2-EC3	Screw 16*1,5*87mm
3-ET9	Guide Pin 36*64mm
4-EC2	Screw 16*1,5*70mm
5-ES8	Washer
6-ET83	Detent Pin
7-EK4	Rubber Cap (38mm)
8-ES7	Cotter Pin
9-ET76	Calibration Loaf
10-ES3	Metal Tap
11-ES1	Metal Tap
12-ES6	Pad Retainer (20mm)
13-EP24	Teflon Ring



ENB No:	1K0125
OEM No:	K012912
Application:	SK 7, SN 7
Description:	Caliper Repair Kit
1-ET6	Guide Pin 36*114mm
2-EC3	Screw 16*1,5*87mm
3-ET1	Guide Pin 32*80mm
4-EC1	Screw 16*1,5*80mm
5-ES8	Washer
6-ET83	Detent Pin
7-EK4	Rubber Cap (38mm)
8-ES7	Cotter Pin
9-ET76	Calibration Loaf
10-ES1	Metal Tap
11-ES6	Pad Retainer (20mm)
12-EP24	Teflon Ring



ENB No:	1K0126
OEM No:	K060760
Application:	SB 6, SB 7
Description:	Caliper Repair Kit
1-ET6	Guide Pin 36*114mm
2-EC3	Screw 16*1,5*87mm
3-ET4	Guide Pin 32*88,50mm
4-EC1	Screw 16*1,5*80mm
5-ES4	Metal Cap
6-EK9	O-Ring
7-ES6	Pad Retainer (20mm)
8-ES8	Washer
9-ES7	Cotter Pin
10-ET76	Calibration Loaf
11-ET83	Detent Pin
12-EP24	Teflon Ring
13-EK4	Rubber Cap (38mm)



ENB No:	1K0127
OEM No:	K006018
Application:	SN 7
Description:	Caliper Repair Kit
1-ET6	Guide Pin 36*114mm
2-EC3	Screw 16*1,5*87mm
3-ET1	Guide Pin 32*80mm
4-EC1	Screw 16*1,5*80mm
5-ES9	Metal Tap
6-ES2	Pin Cap
7-ES6	Pad Retainer (20mm)
8-ES8	Washer
9-ES7	Cotter Pin
10-ET83	Detent Pin
11-EP24	Teflon Ring
12-EK4	Rubber Cap (38mm)



ENB No:	1K0128
OEM No:	K048276
Application:	SB 7
Description:	Caliper Repair Kit
1-ET6	Guide Pin 36*114mm
2-EC3	Screw 16*1,5*87mm
3-ET1	Guide Pin 32*80mm
4-EC1	Screw 16*1,5*80mm
5-ES4	Metal Cap
6-EK9	O-Ring
7-ES6	Pad Retainer (20mm)
8-ES8	Washer
9-ES7	Cotter Pin
10-ET76	Calibration Loaf
11-ET83	Detent Pin
12-EP24	Teflon Ring
13-EK4	Rubber Cap (38mm)





ENB No: 1K0129

OEM No: K048278

Application: SN 6,

Description: Caliper Repair Kit

1-ET6	Guide Pin 36*114mm
2-EC3	Screw 16*1.5*87mm
3-ET1	Guide Pin 32*80mm
4-EC1	Screw 16*1.5*80mm
5-ES9	Metal Tap
6-ES2	Pin Cap
7-ES6	Pad Retainer (20mm)
8-ES8	Washer
9-ES7	Cotter Pin
10-ET76	Calibration Loaf
11-ET83	Detent Pin
12-EP24	Teflon Ring
13-EK4	Rubber Cap (38mm)



ENB No: 1K0130

OEM No: K003459

Application: SK 7, SN 7

Description: Caliper Repair Kit

1-ET8	Guide Pin 36*103mm
2-EC3	Screw 16*1.5*87mm
3-ET1	Guide Pin 32*80mm
4-EC1	Screw 16*1.5*80mm
5-ES9	Metal Tap
6-ES2	Pin Cap
7-ES8	Washer
8-ES7	Cotter Pin
9-ET76	Calibration Loaf
10-ET83	Detent Pin
11-EP24	Teflon Ring
12-EK4	Rubber Cap (38mm)

ENB No:	1K0131
OEM No:	K047473
Application:	SB 7
Description:	Caliper Repair Kit
1-ET6	Guide Pin 36*114mm
2-EC3	Screw 16*1,5*87mm
3-ET4	Guide Pin 32*88,50mm
4-EC1	Screw 16*1,5*80mm
5-ES4	Metal Cap
6-EK9	O-Ring
7-ES6	Pad Retainer (20mm)
8-ES8	Washer
9-ES7	Cotter Pin
10-ET76	Calibration Loaf
11-ET83	Detent Pin
12-EP24	Teflon Ring



ENB No:	1K0132
OEM No:	1448910 - li368470064
Application:	SN 7
Description:	Caliper Repair Kit
1-ET2	Guide Pin 34*80mm
2-EC3	Screw 16*1,5*87mm
3-EK2	Rubber Bush



ENB No:	1K0133
OEM No:	
Application:	SB 5, SB 6, SB 7
Description:	Caliper Repair Kit
1-ET2	Guide Pin 34*80mm
2-EK2	Rubber Bush





ENB No:	1K0134
OEM No:	K000697
Application:	SB, SN, SK
Description:	Caliper Repair Kit
1-ET1	Guide Pin 32*80mm
2-EC1	Screw 16*1,5*80mm
3-EK22	Metal Rubber Bush (Long) (39mm)
4-ES2	Pin Cap



ENB No:	1K0135
OEM No:	K01300
Application:	SK 7, SN 7
Description:	Caliper Repair Kit
1-ET4	Guide Pin 32*88,50mm
2-EC1	Screw 16*1,5*80mm
3-EK22	Metal Rubber Bush (Long) (39mm)



ENB No:	1K0136
OEM No:	K000698
Application:	SB
Description:	Caliper Repair Kit
1-ET1	Guide Pin 32*80mm
2-EC1	Screw 16*1,5*80mm
3-EK1	Metal Rubber Bush (Long) (35mm)
4-ES2	Pin Cap

ENB No:	1K0137
OEM No:	
Application:	SB
Description:	Caliper Repair Kit
1-ET4	Guide Pin 32*88,50mm
2-EC1	Screw 16*1,5*80mm
3-EK21	Metal Rubber Bush (Long) (35mm)



1



3



2

ENB No:	1K0138
OEM No:	
Application:	SB, SN, SK
Description:	Caliper Repair Kit
1-ET1	Guide Pin 32*80mm
2-EK22	Metal Rubber Bush (Long) (39mm)
3-ES2	Pin Cap



1



2



3

ENB No:	1K0139
OEM No:	
Application:	SB, SN, SK, SL, SM
Description:	Caliper Repair Kit
1-ET4	Guide Pin 34*88,50mm
2-EK22	Metal Rubber Bush (Long) (39mm)



1



2



1



3



2

ENB No: 1K0140

OEM No:

Application: SB

Description: Caliper Repair Kit

1-ET1 Guide Pin 32\*80mm

2-EK21 Metal Rubber Bush (Long) (35mm)

3-ES2 Pin Cap



1



2

ENB No: 1K0141

OEM No:

Application: SB

Description: Caliper Repair Kit

1-ET4 Guide Pin 32\*88,50mm

2-EK21 Metal Rubber Bush (Long) (35mm)



1



2



3

ENB No: 1K0142

OEM No:

Application: SN 6, SN 7

Description: Caliper Repair Kit

1-ET1 Guide Pin 32\*80mm

2-EC1 Screw 16\*1,5\*80mm

3-EK23 Metal Rubber Bush (Short) (35mm)

ENB No:	1K0143
OEM No:	
Application:	SN 6, SN 7
Description:	Caliper Repair Kit
1-ET1	Guide Pin 32*80mm
2-EK23	Metal Rubber Bush (Short) (39mm)



ENB No:	1K0144
OEM No:	
Application:	SB 6, SB 7
Description:	Caliper Repair Kit
1-ET1	Guide Pin 32*80mm
2-EC1	Screw 16*1,5*80
3-EK88	Metal Rubber Bush (Short) (35mm)



ENB No:	1K0145
OEM No:	
Application:	SB 6, SB 7
Description:	Caliper Repair Kit
1-ET1	Guide Pin 34*80mm
2-EK22	Metal Rubber Bush (Short) (35mm)





ENB No:	1K0146
OEM No:	
Application:	SB, SN, SK, SL, SM
Description:	Caliper Metal Rubber Bush
1-EK22	Metal Rubber Bush (Long) (35mm)



ENB No:	1K0147
OEM No:	
Application:	SB
Description:	Caliper Metal Rubber Bush
1-EK21	Metal Rubber Bush (Long) (35mm)



ENB No:	1K0148
OEM No:	
Application:	SN
Description:	Caliper Metal Rubber Bush
1-EK23	Metal Rubber Bush (Short) (35mm)



ENB No:	1K0149
OEM No:	
Application:	SB 6, SB 7
Description:	Caliper Metal Rubber Bush
1-EK88	Metal Rubber Bush (Short) (39mm)



ENB No:	1K0150
OEM No:	
Application:	SB 6, SB 7
Description:	Caliper Metal Rubber Bush
1-EK24	Metal Rubber Bush (Short)

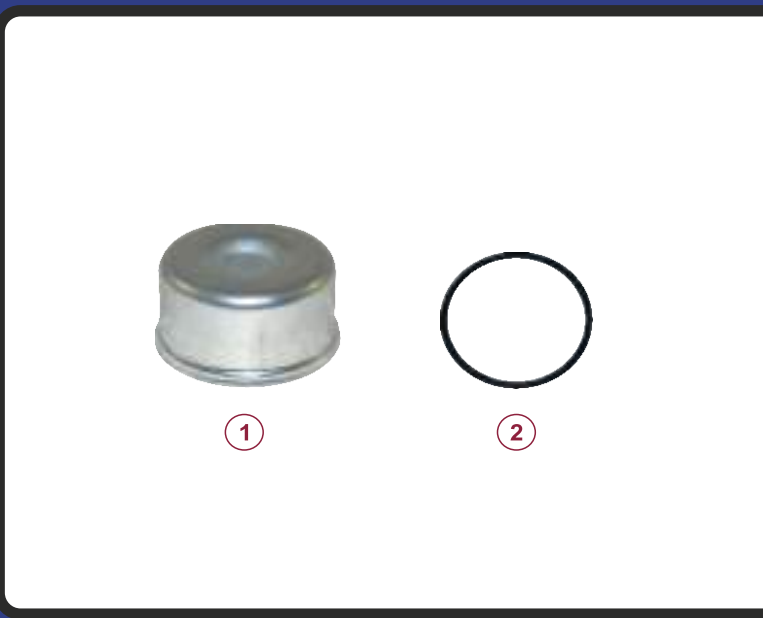


ENB No:	1K0151
OEM No:	
Application:	SB, SN, SK, SL, SM
Description:	Caliper Lever Bearing
1-ES10	Lever Bearing





ENB No:	1K0152
OEM No:	K001301 - 81508226025
Application:	SB 7, SN 7
Description:	Caliper Boot and Metal Cap Repair Kit
1-ES4	Metal Cap
2-EK9	Metal O-Ring
3-EK3	Boot
4-ES77	Clamp



ENB No:	1K0153
OEM No:	II39769F0063
Application:	SB 7, SN 7
Description:	Caliper Metal Cap Kit
1-ES4	Metal Cap
2-EK9	O-Ring



ENB No:	1K0154
OEM No:	81508226024 - 14394993 - K000945 II17939004
Application:	SB, SN, SK, SL, SM
Description:	Caliper Adjusting Mechanism Cap Set
1-EK4	Rubber Cap (38mm)
2-EK6	Rubber Tap
3-ET76	Calibration Loaf

ENB No:	1K0155
OEM No:	K000029 - 0004234687 - 81508226021
Application:	SB, SN, SK, SL, SM
Description:	Caliper Adjusting Mechanism Cap Set
1-EK4	Rubber Cap (38mm)
2-ET76	Calibration Loaf

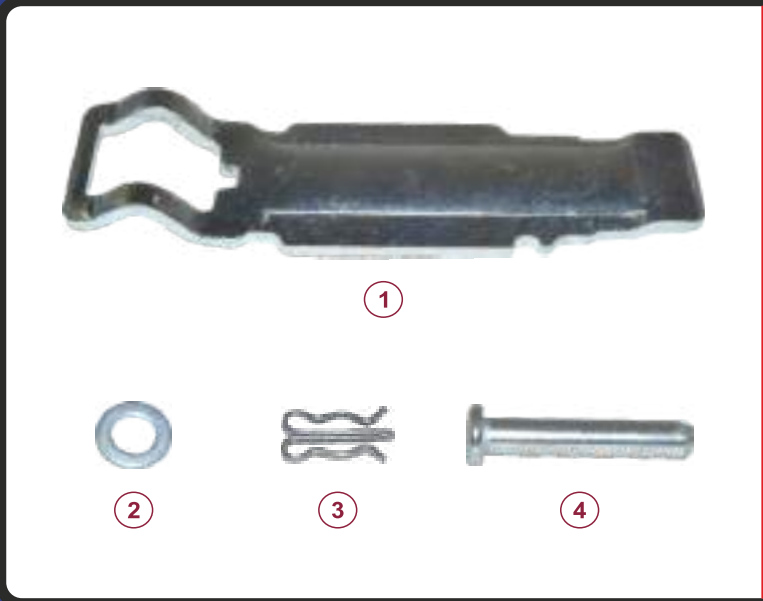


ENB No:	1K0156
OEM No:	K003902
Application:	SN 6, SN 7, SK 7
Description:	Caliper Adjusting Mechanism Cap Set
1-EK5	Rubber Cap (35mm)
2-ET76	Calibration Loaf



ENB No:	1K0157
OEM No:	K000133
Application:	SN 5, SB 6, SN 6, SK 7
Description:	Caliper Pad Retainer Repair Kit
1-ES82	Pad Retainer (25mm)
2-ES8	Washer
3-ES7	Cotter Pin
4-ET83	Detent Pin

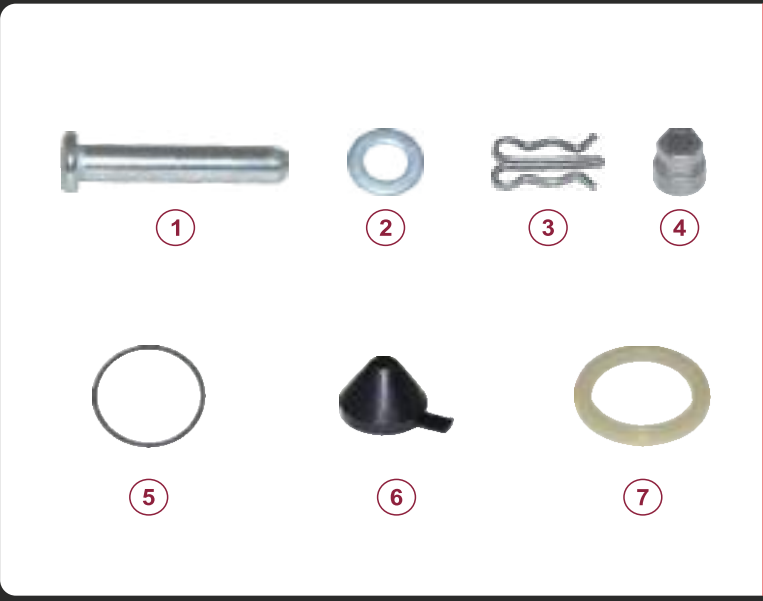




ENB No:	1K0158
OEM No:	6274200186 - 0004202482 - li19712004 K000129
Application:	SB 7, SN 7
Description:	Caliper Pad Retainer Kit
1-ES6	Pad Retainer (20mm)
2-ES8	Washer
3-ES7	Cotter Pin
4-ET83	Detent Pin



ENB No:	1K0159
OEM No:	II40929F
Application:	SN 6, SN 7
Description:	Caliper Repair Kit
1-ET83	Detent Pin
2-ES8	Washer
3-ES7	Cotter Pin
4-ET76	Calibration Loaf
5-ES2	Pin Cap
6-EK4	Rubber Cap (38mm)
7-EP24	Teflon Ring



ENB No:	1K0160
OEM No:	II40699F
Application:	SB 6, SB 7, SN 6
Description:	Caliper Repair Kit
1-ET83	Detent Pin
2-ES8	Washer
3-ES7	Cotter Pin
4-ET76	Calibration Loaf
5-EK9	O-Ring
6-ET4	Rubber Cap (38mm)
7-EP24	Teflon Ring

ENB No:	1K0161
OEM No:	II40875F
Application:	SN 6
Description:	Caliper Repair Kit
1-ET83	Detent Pin
2-ES8	Washer
3-ES7	Cotter Pin
4-ET76	Calibration Loaf
5-EK4	Rubber Cap (38mm)
6-EP24	Teflon Ring



ENB No:	1K0162
OEM No:	K047474
Application:	SB 7
Description:	Caliper Repair Kit
1-EK5	Detent Pin
2-ES8	Washer
3-ES7	Cotter Pin
4-EK9	O-Ring
5-EP24	Teflon Ring



ENB No:	1K0163
OEM No:	
Application:	SB 6, SB 7, SN 7
Description:	Caliper Repair Kit
1-EK3	Boot
2-EK2	Rubber Bush
3-EK7	Boot
4-ES77	Clamp
4-EP24	Teflon Ring





ENB No:	1K0164
OEM No:	li328090061
Application:	SB , SN
Description:	Caliper Retainer Kit
1-EK7	Boot
2-EP24	Teflon Ring
3-EK3	Boot
4-ES77	Clamp
5-EK4	Rubber Cap

1

2

3

4

5



ENB No:	1K0165
OEM No:	li350470063
Application:	SB
Description:	Caliper Repair Kit
1-EK3	Boot
2-ES77	Clamp

1

2



ENB No:	1K0166
OEM No:	K561521
Application:	SB 7
Description:	Caliper Repair Kit
1-EK8	Boot
2-ES77	Clamp

1

2

ENB No:	1K0167
OEM No:	
Application:	SB 7
Description:	Caliper Repair Kit
1-EP47	Rubber Cap
2-ES77	Clamp



1



2

ENB No:	1K0168
OEM No:	11328090061
Application:	SB
Description:	Caliper Repair Kit
1-ES4	Metal Cap
2-EK9	O-Ring
3-EK7	Boot
4-EP24	Teflon Ring



1



3



2



4

ENB No:	1K0169
OEM No:	Z004357
Application:	SB, SN, SK, SL, SM
Description:	Caliper Repair Kit
1-EK7	Boot
2-EP24	Teflon Ring



1



2



ENB No:	1K0170
OEM No:	
Application:	SB , SN
Description:	Caliper Dust Cover
1-EK13	Dust Cover



ENB No:	1K0171
OEM No:	
Application:	SB, SN
Description:	Caliper Rubber Tap
1-EK10	Rubber Tap



Ø 42

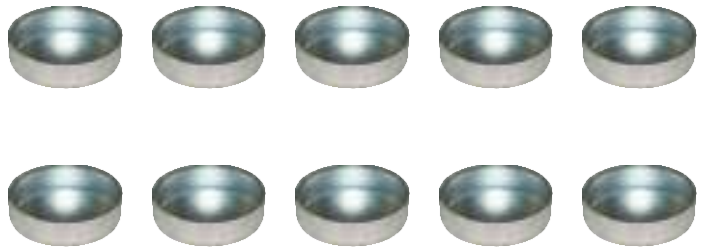
ENB No:	1K0172
OEM No:	
Application:	
Description:	Caliper Seal
1-EK11	Seal (42mm)



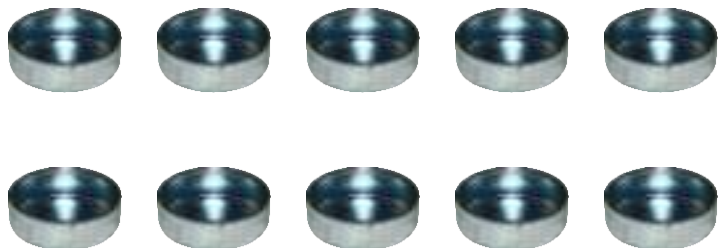
ENB No:	1K0173
OEM No:	
Application:	
Description:	Caliper Seal
1-EK12	Seal (45mm)



ENB No:	1K0174
OEM No:	
Application:	SB 6, SB 7
Description:	Caliper Metal Tap
1-ES1	Metal Tap (40*11mm)



ENB No:	1K0175
OEM No:	
Application:	SN 7, SK 7
Description:	Caliper Metal Tap
1-ES9	Metal Tap (40*14mm)



# *EN*MAK



# MERITOR

[www.enmakoto.com](http://www.enmakoto.com)

ENB No: 2M0001

OEM No:

Application: DX 195

Description: Caliper Repair Kit

1-EK26	Boot
2-EK27	Dust Cover
3-EK28	Boot
4-ES14	Metal Tap
5-ET13	Guide Pin 32*97mm
6-ET14	Guide Pin 32*97mm
7-EC1	Screw 16*1,5*80mm
8-EC11	Screw 16*1,5*55mm
9-EB7	Bush
10-EK29	Dust Cover
11-EC12	Screw 10*20mm
12-EC13	Screw 12*30mm
13-EC14	Screw 12*30mm FT
14-EC15	Screw 8*20mm
15-ECN1	Gasket
16-ET90	Detent Pin
17-ES52	Cotter Pin
18-EC16	Screw
19-ES50	Washer
20-ET91	Detent Pin
21-ES51	Cotter Pin
22-ES76	Metal Shim



ENB No: 2M0002

OEM No: MCK1171

Application: DX 195

Description: Caliper Repair Kit

1-EK26	Boot
2-EK27	Dust Cover
3-EK28	Boot
4-ES14	Metal Tap
5-ET13	Guide Pin 32*97mm
6-ET14	Guide Pin 32*97mm
7-EC1	Screw 16*1,5*80mm
8-EC11	Screw 16*1,5*55mm
9-EB7	Bush
10-ES46	Pin
11-ET91	Detent Pin
12-ES51	Cotter Pin
13-EC16	Screw
14-ES50	Washer
15-EC12	Screw 10*20mm





ENB No:	2M0003
OEM No:	MCK1261
Application:	DX 225
Description:	Caliper Repair Kit
1-EK85	Boot
2-EK86	Dust Cover
3-EK87	Boot
4-ES14	Metal Tap
5-ET13	Guide Pin 32*93,50mm
6-ET14	Guide Pin 32*93,50mm
7-EC1	Screw 16*1,5*80mm
8-EC11	Screw 16*1,5*55mm
9-EB7	Bush
10-EK29	Dust Cover
11-EC12	Screw 10*20mm
12-EC13	Screw 12*30mm
13-EC14	Screw 12*30mm FT
14-EC15	Screw 8*20mm
15-ECN1	Gasket
16-ET90	Detent Pin
17-ES52	Cotter Pin
18-EC16	Screw
19-ES50	Washer
20-ET91	Detent Pin
21-ES51	Cotter Pin
22-ES76	Metal Shim



ENB No:	2M0004
OEM No:	
Application:	DX 225
Description:	Caliper Repair Kit
1-EK85	Boot
2-EK86	Dust Cover
3-EK87	Boot
4-ES14	Metal Tap
5-ET13	Guide Pin 32*93,50mm
6-ET14	Guide Pin 32*93,50mm
7-EC1	Screw 16*1,5*80mm
8-EC11	Screw 16*1,5*55mm
9-EB7	Bush
10-ES46	Pin
11-ET91	Detent Pin
12-ES51	Cotter Pin
13-EC16	Screw
14-ES50	Washer
15-EC12	Screw 10*20mm

ENB No:	2M0005
OEM No:	DSB7
Application:	DX 195
Description:	Caliper Repair Kit
1-EK28	Boot
2-ES14	Metal Tap
3-ET13	Guide Pin 32*97mm
4-EC1	Screw 16*1,5*80mm
5-ET14	Guide Pin 32*97mm
6-EC11	Screw 16*1,5*55mm
7-EB7	Bush
8-EC16	Screw
9-ES50	Washer
10-ET91	Detent Pin
11-ES51	Cotter Pin



ENB No:	2M0006
OEM No:	
Application:	DX 225
Description:	Caliper Repair Kit
1-EK87	Boot
2-ES14	Metal Tap
3-ET15	Guide Pin 32*93,50mm
4-EC1	Screw 16*1,5*80mm
5-ET16	Guide Pin 32*93,50mm
6-EC11	Screw 16*1,5*55mm
7-EB7	Bush
8-EC16	Screw
9-ES50	Washer
10-ET91	Detent Pin
11-ES51	Cotter Pin



ENB No:	2M0007
OEM No:	
Application:	DX 195
Description:	Caliper Repair Kit
1-ET13	Guide Pin 32*97mm
2-EC1	Screw 16*1,5*80mm
3-ET14	Guide Pin 32*97mm
4-EC11	Screw 16*1,5*55mm
5-EB7	Bush
6-ES14	Metal Tap





ENB No:	2M0008
OEM No:	
Application:	DX 225
Description:	Caliper Repair Kit
1-ET15	Guide Pin 32*93,5mm
2-EC1	Screw 16*1,5*80mm
3-ET16	Guide Pin 32*93,5mm
4-EC11	Screw 16*1,5*55mm
5-EB7	Bush
6-ES14	Metal Tap



ENB No:	2M0009
OEM No:	
Application:	DX 195
Description:	Caliper Repair Kit
1-EK26	Boot
2-EK27	Dust Cover
3-EK28	Boot
4-ES14	Metal Tap
5-EC13	Screw 12*30mm
6-EC14	Screw 12*30mm FT
7-EC12	Screw 10*20mm
8-EC15	Screw 8*20mm



ENB No:	2M0010
OEM No:	
Application:	DX 225
Description:	Caliper Repair Kit
1-EK85	Boot
2-EK86	Dust Cover
3-EK87	Boot
4-ES14	Metal Tap
5-EC13	Screw 12*30mm
6-EC14	Screw 12*30mm FT
7-EC12	Screw 10*20mm
8-EC15	Screw 8*20mm

ENB No: 2M0011

OEM No: DSB104

Application: DX 195

Description: Caliper Repair Kit

1-EK26	Boot
2-EK27	Dust Cover
3-EK28	Boot
4-ES14	Metal Tap
5-EK29	Dust Cover
6-EC12	Screw 10*20mm
7-EC13	Screw 12*30mm
8-EC14	Screw 12*30mm FT
9-EC15	Screw 8*20mm
10-ECN1	Gasket
11-EC16	Screw
12-ES50	Washer
13-EK31	Seal



ENB No: 2M0012

OEM No:

Application: DX 225

Description: Caliper Repair Kit

1-EK85	Boot
2-EK86	Dust Cover
3-EK87	Boot
4-ES14	Metal Tap
5-EK29	Dust Cover
6-EC12	Screw 10*20mm
7-EC13	Screw 12*30mm
8-EC14	Screw 12*30mm FT
9-EC15	Screw 8*20mm
10-ECN1	Gasket
11-EC16	Screw
12-ES50	Washer
13-EK31	Seal

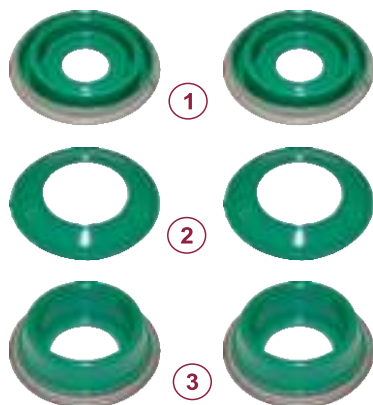




ENB No:	2M0013
OEM No:	MCK1192
Application:	DX 195
Description:	Caliper Repair Kit
1-EK26	Boot
2-EK27	Dust Cover
3-EK28	Boot
4-ES14	Metal Tap
5-EC1	Screw 16*1,5*80mm
6-EC11	Screw 16*1,5*55mm



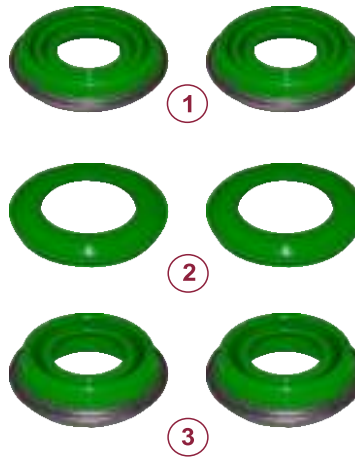
ENB No:	2M0014
OEM No:	
Application:	DX 225
Description:	Caliper Repair Kit
1-EK85	Boot
2-EK86	Dust Cover
3-EK87	Boot
4-ES14	Metal Tap
5-EC1	Screw 16*1,5*80mm
6-EC11	Screw 16*1,5*55mm



ENB No:	2M0015
OEM No:	
Application:	DX 195
Description:	Caliper Repair Kit
1-EK26	Boot
2-EK27	Dust Cover
3-EK28	Boot



ENB No:	2M0016
OEM No:	
Application:	DX 225
Description:	Caliper Repair Kit
1-EK85	Boot
2-EK86	Dust Cover
3-EK87	Boot



ENB No:	2M0017
OEM No:	MCK1293 - DSB6R
Application:	DX 195
Description:	Caliper Repair Kit (Right)
1-ET84	Bridge
2-ET85	Push Plate
3-ET86	Bush
4-ET87	Guide Pin
5-ET88	Gear
6-ET89	Calibration Bolt
7-EC12	Screw 10*20mm
8-ES47	Wavy Washer
9-ESK1	Snap Ring
10-ES46	Pin
11-ES15	Metal Tap
12-EK26	Boot
13-EK27	Dust Cover



ENB No:	2M0018
OEM No:	MCK1292 - DSB6L
Application:	DX 195
Description:	Caliper Repair Kit (Left)
1-ET84	Bridge
2-ET85	Push Plate
3-ET86	Bush
4-ET92	Guide Pin
5-ET88	Gear
6-ET93	Calibration Bolt
7-EC12	Screw 10*20mm
8-ES47	Wavy Washer
9-ESK1	Snap Ring
10-ES46	Pin
11-ES15	Metal Tap
12-EK26	Boot
13-EK27	Dust Cover





ENB No: 2M0019

OEM No:

Application: DX 225

Description: Caliper Repair Kit (Right)

1-ET84	Bridge
2-ET94	Push Plate
3-ET86	Bush
4-ET87	Guide Pin
5-ET88	Gear
6-ET89	Calibration Bolt
7-EC12	Screw 10*20mm
8-ES47	Wavy Washer
9-ESK1	Snap Ring
10-ES46	Pin
11-ES15	Metal Tap
12-EK85	Boot
13-EK86	Dust Cover



ENB No: 2M0020

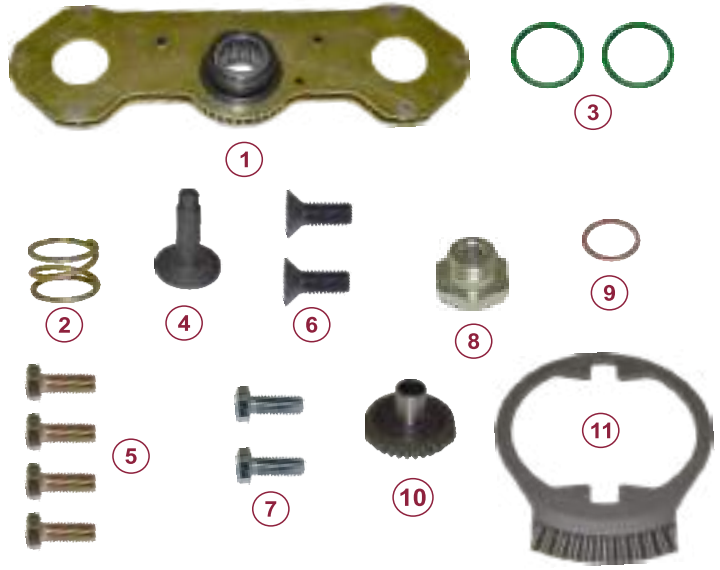
OEM No:

Application: DX 225

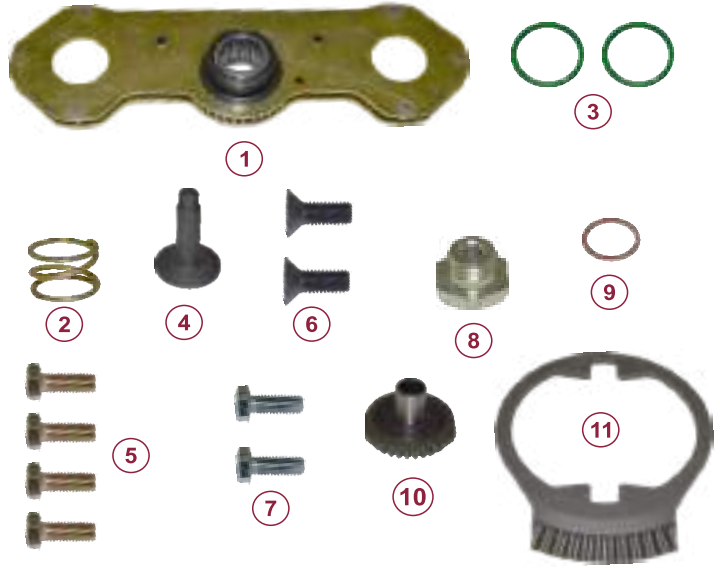
Description: Caliper Repair Kit (Left)

1-ET84	Bridge
2-ET94	Push Plate
3-ET86	Bush
4-ET92	Guide Pin
5-ET88	Gear
6-ET93	Calibration Bolt
7-EC12	Screw 10*20mm
8-ES47	Wavy Washer
9-ESK1	Snap Ring
10-ES46	Pin
11-ES15	Metal Tap
12-EK85	Boot
13-EK86	Dust Cover

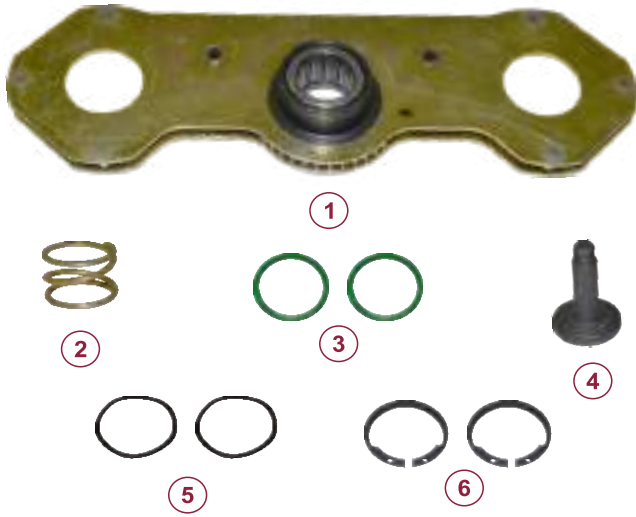
ENB No:	2M0021
OEM No:	MCK1291
Application:	DX 195, DX 225
Description:	Caliper Mechanism Repair Kit (Right)
1-ET95	Mechanism
2-EY5	Spring
3-EK32	Seal
4-ET97	Pin
5-EC13	Screw 12*30mm
6-EC14	Screw 12*30mm FT
7-EC15	Screw 8*20mm
8-EC16	Screw
9-ES50	Washer
10-ET98	Gear
11-ET99	Central Gear

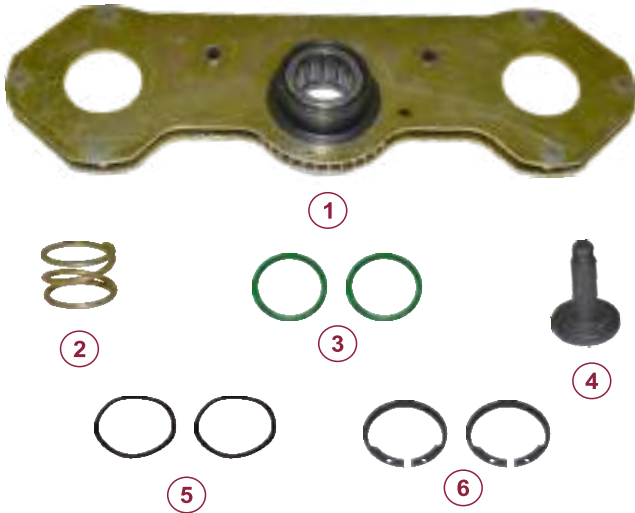


ENB No:	2M0022
OEM No:	MCK1290
Application:	DX 195, DX 225
Description:	Caliper Mechanism Repair Kit (Left)
1-ET96	Mechanism
2-EY5	Spring
3-EK32	Seal
4-ET97	Pin
5-EC13	Screw 12*30mm
6-EC14	Screw 12*30mm FT
7-EC15	Screw 8*20mm
8-EC16	Screw
9-ES50	Washer
10-ET98	Gear
11-ET99	Central Gear



ENB No:	2M0023
OEM No:	DSB5R
Application:	DX 195, DX 225
Description:	Caliper Mechanism Repair Kit (Right)
1-ET95	Mechanism
2-EY5	Spring
3-EK32	Seal
4-ET97	Pin
5-ES47	Wavy Washer
6-ESK1	Snap Ring





ENB No:	2M0024
OEM No:	DSB5L
Application:	DX 195, DX 225
Description:	Caliper Mechanism Repair Kit (Left)
1-ET96	Mechanism
2-EY5	Spring
3-EK32	Seal
4-ET97	Pin
5-ES47	Wavy Washer
6-ESK1	Snap Ring



ENB No:	2M0025
OEM No:	
Application:	DX 195, DX 225
Description:	Caliper Bridge
1-ET84	Bridge
2-ET86	Bush



ENB No:	2M0026
OEM No:	MCK1294
Application:	DX 195, DX 225
Description:	Caliper Shaft Repair Kit
1-ET100	Shaft
2-EGR1	Grease Nipple
3-EK31	Seal
4-ER5	Roller Bearing
5-ER6	Roller Bearing
6-EK33	Seal
7-ECN1	Gasket
8-ET101	Cover
9-EC15	Screw 8*20mm
10-EK29	Dust Cover
11-EC17	Screw 8*60mm
12-EC18	Bolt Nut M8
13-ET90	Detent Pin
14-ES52	Cotter Pin
15-EC16	Screw
16-ES50	Washer
17-ET91	Detent Pin
18-ES51	Cotter Pin

ENB No:	2M0027
OEM No:	MCK1168
Application:	DX 195, DX 225
Description:	Caliper Shaft Repair Kit
1-ET100	Shaft
2-EGR1	Grease Nipple
3-EK31	Seal
4-ER6	Roller Bearing
5-ECN1	Gasket
6-ET101	Cover
7-EC15	Screw 8*20mm
8-EC17	Screw 8*60mm
9-EC18	Bolt Nut M8
10-ET91	Detent Pin
11-ES51	Cotter Pin
12-EC16	Screw
13-ES50	Washer
14-EK33	Seal



ENB No:	2M0028
OEM No:	
Application:	DX 195, DX 225
Description:	Caliper Shaft
1-ET100	Shaft
2-EGR1	Grease Nipple
3-EK3	Seal



ENB No:	2M0029
OEM No:	
Application:	DX 195, DX 225
Description:	Caliper Gear Repair Kit
1-ET99	Central Gear
2-ET98	Gear





ENB No:	2M0030
OEM No:	
Application:	DX 195, DX 225
Description:	Caliper Repair Kit
1-ET101	Cover
2-ER6	Roller Bearing
3-EK29	Dust Cover
4-EK33	Seal
5-ECN1	Gasket
6-EC15	Screw 8*20mm



ENB No:	2M0031
OEM No:	
Application:	DX 195
Description:	Caliper Push Plate (Right)
1-ET85	Push Plate
2-ET89	Calibration Bolt
3-EC12	Screw 10*20mm
4-ES46	Pin



ENB No:	2M0032
OEM No:	
Application:	DX 195
Description:	Caliper Push Plate (Left)
1-ET85	Push Plate
2-ET93	Calibration Bolt
3-EC12	Screw 10*20mm
4-ES46	Pin

ENB No:	2M0033
OEM No:	
Application:	DX 195
Description:	Caliper Push Plate
1-ET85	Push Plate



ENB No:	2M0034
OEM No:	
Application:	DX 225
Description:	Caliper Mechanism Repair Kit (Left)
1-ET94	Push Plate
2-ET89	Calibration Bolt
3-EC12	Screw 10*20mm
4-ES46	Pin



ENB No:	2M0035
OEM No:	
Application:	DX 225
Description:	Caliper Push Plate (Left)
1-ET94	Push Plate
2-ET93	Calibration Bolt
3-EC12	Screw 10*20mm
4-ES46	Pin





ENB No:	2M0036
OEM No:	
Application:	DX 225
Description:	Caliper Push Plate
1-ET101	Push Plate



ENB No:	2M0037
OEM No:	
Application:	DX 195, DX 225
Description:	Caliper Repair Kit (Right)
1-ET87	Guide Pin
2-ET88	Gear
3-ES47	Wavy Washer
4-ESK1	Snap Ring



ENB No:	2M0038
OEM No:	
Application:	DX 195, DX 225
Description:	Caliper Repair Kit (Left)
1-ET92	Guide Pin
2-ET88	Gear
3-ES47	Wavy Washer
4-ESK1	Snap Ring



ENB No:	2M0039
OEM No:	
Application:	DX 195, DX 225
Description:	Caliper Calibration Bolt (Right)
1-ET89	Calibration Bolt

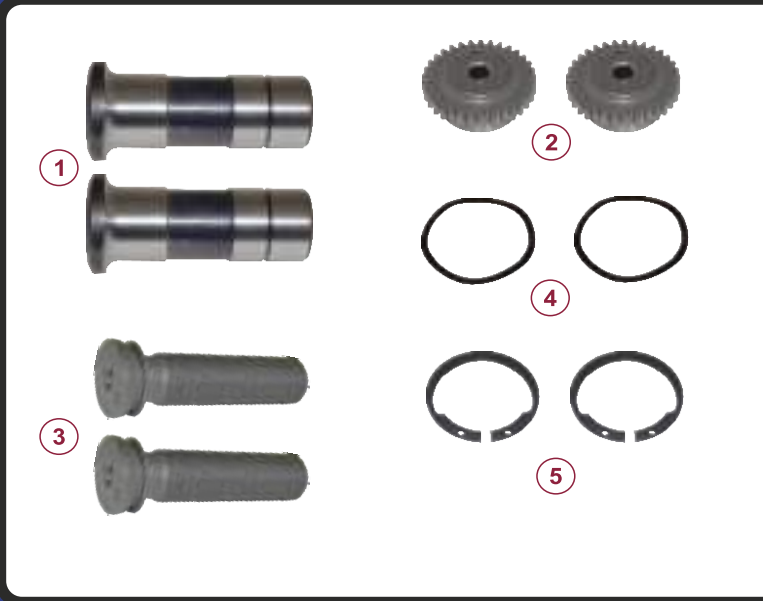


ENB No:	2M0040
OEM No:	
Application:	DX 195, DX 225
Description:	Caliper Calibration Bolt (Left)
1-ET93	Calibration Bolt



ENB No:	2M0041
OEM No:	
Application:	DX 195, DX 225
Description:	Caliper Repair Kit (Right)
1-ET87	Guide Pin
2-ET88	Gear
3-ET89	Calibration Bolt
4-ES47	Wavy Washer
5-ESK1	Snap Ring





ENB No:	2M0042
OEM No:	
Application:	DX 195, DX 225
Description:	Caliper Repair Kit (Left)
1-ET92	Guide Pin
2-ET88	Gear
3-ET93	Calibration Bolt
4-ES47	Wavy Washer
5-ESK1	Snap Ring



ENB No:	2M0043
OEM No:	
Application:	DX 195, DX 225
Description:	Caliper Roller Bearing
1-ER6	Roller Bearing

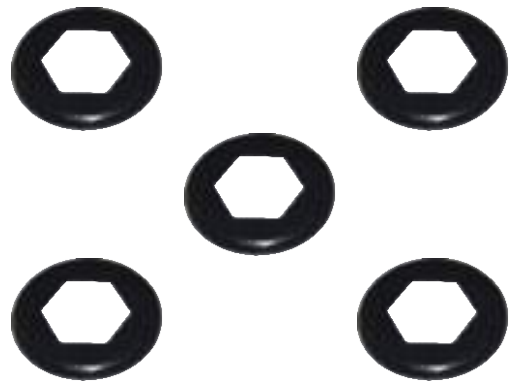


ENB No:	2M0044
OEM No:	
Application:	DX 195, DX 225
Description:	Caliper Roller Bearing
1-ER5	Roller Bearing

ENB No:	2M0045
OEM No:	MCK1344 - DSB3
Application:	DX 195, DX 225
Description:	Caliper Bearing Kit
1-ER6	Roller Bearing
2-ER5	Roller Bearing
3-ET86	Bush

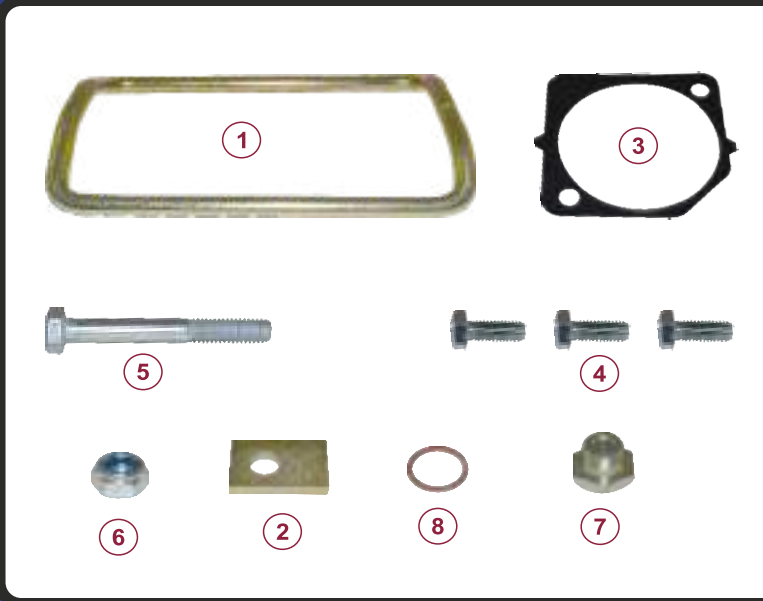


ENB No:	2M0046
OEM No:	1205*2572 - 21225226
Application:	DX 195, DX 225
Description:	Caliper Dust Cover
1-EK29	Dust Cover



ENB No:	2M0047
OEM No:	MCK1154
Application:	DX 195
Description:	Caliper Repair Kit
1-ES48	Stabilizer Bar
2-ECN1	Gasket
3-EC15	Screw 8*20mm
4-EC17	Screw 8*60mm
5-EC18	Bolt Nut M8
6-ET91	Detent Pin
7-ES51	Cotter Pin
8-EC16	Screw
9-ES50	Washer

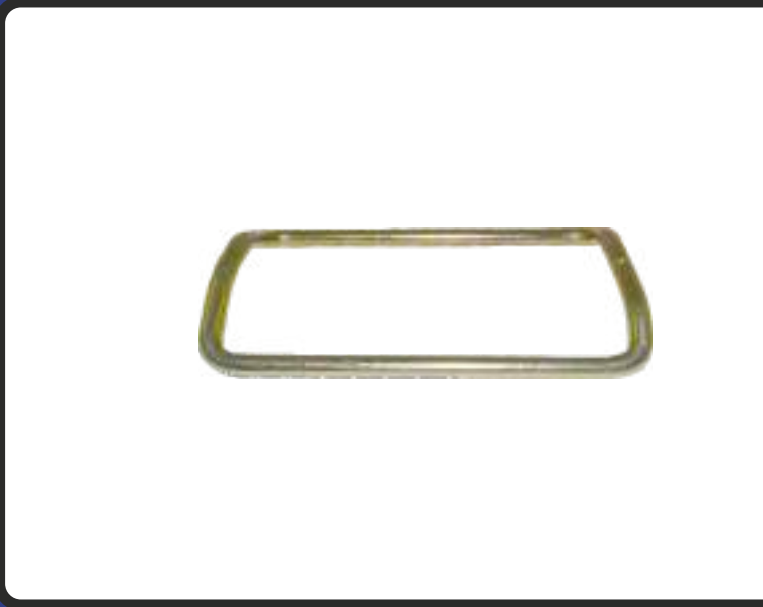




ENB No:	2M0048
OEM No:	MCK1159
Application:	DX 225
Description:	Caliper Repair Kit
1-ES49	Stabilizer Bar
2-ES76	Metal Shim
3-ECN1	Gasket
4-EC15	Screw 8*20mm
5-EC17	Screw 8*60mm
6-EC18	Bolt Nut M8
7-EC16	Screw
8-ES50	Washer

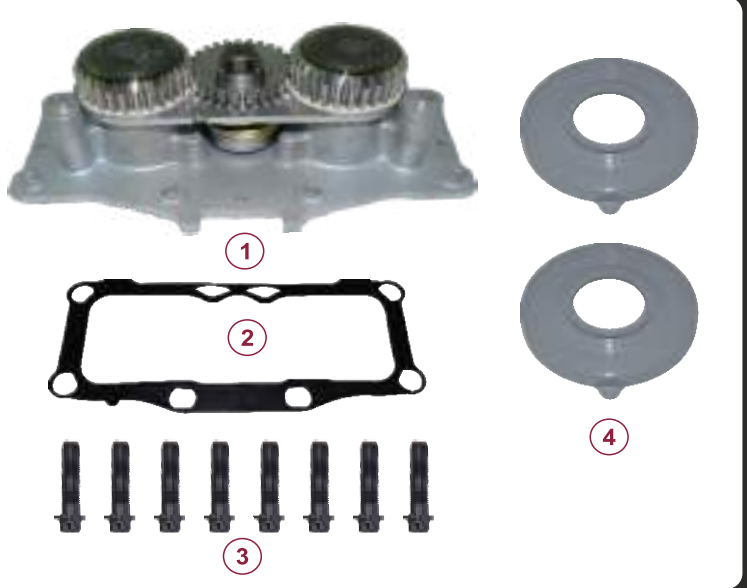


ENB No:	2M0049
OEM No:	
Application:	DX 195
Description:	Caliper Stabilizer Bar
1-ES48	Stabilizer Bar



ENB No:	2M0050
OEM No:	
Application:	DX 225
Description:	Caliper Stabilizer Bar
1-ES49	Stabilizer Bar

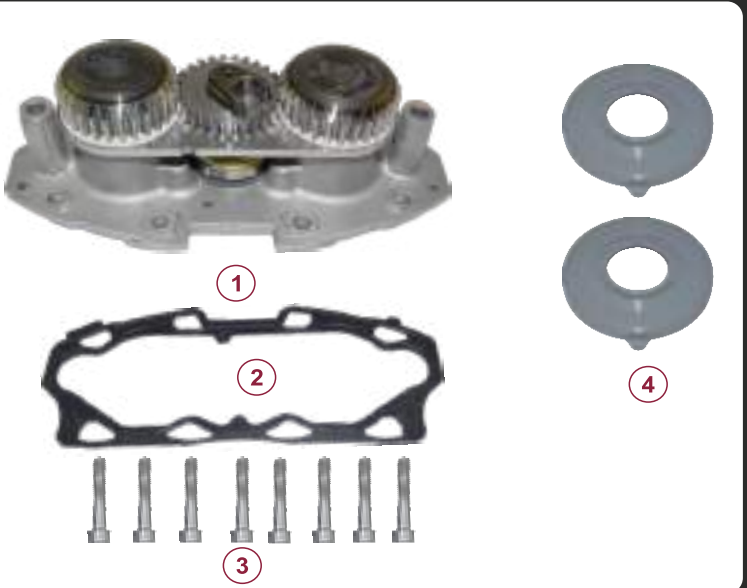
ENB No:	2M0051
OEM No:	
Application:	ELSA 2
Description:	Caliper Calibration Mechanism Complete
1-ET104	Caliper Mechanism Complete
2-EK35	Gasket
3-EC19	Screw 8*1,25*45mm
4-EK34	Dust Cover

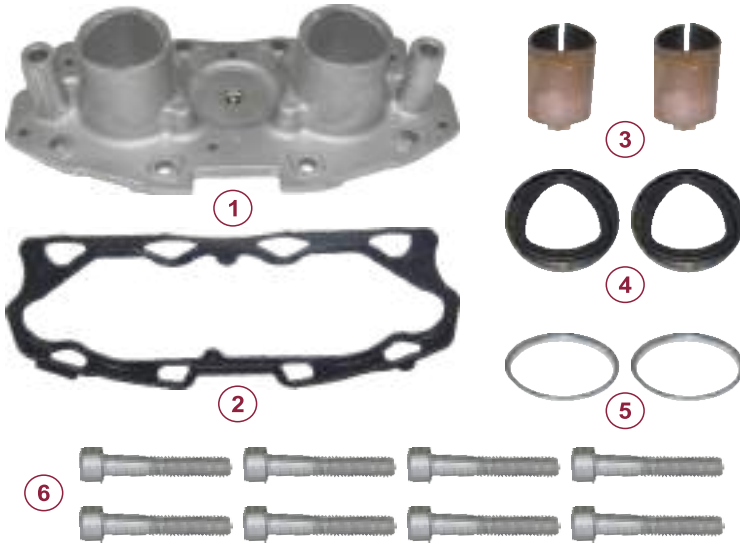


ENB No:	2M0052
OEM No:	
Application:	ELSA 2
Description:	Caliper Calibration Mechanism Complete (Aluminium)
1-ET105	Aluminium Cap (Ball Bearing)
2-EK35	Gasket
3-ES36	Bush
4-EK36	Triangle Seal
5-ES16	Ring
6-EC19	Screw 8*1,25*45mm



ENB No:	2M0053
OEM No:	
Application:	ELSA 195, ELSA 225, Ex 225
Description:	Caliper Calibration Mechanism Complete
1-ET106	Calibration Mechanism Complete
2-EK37	Gasket
3-EC20	Screw 8*1,25*45mm
4-EK34	Dust Cover





ENB No:	2M0054
OEM No:	
Application:	EKSA 195, ELSA 225, Ex 225
Description:	Caliper Calibration Mechanism (Aluminium)
1-ET107	Aluminium Cap (Ball Bearing)
2-EK37	Gasket
3-ES36	Bush
4-EK36	Triangle Seal
5-ES16	Ring
6-EC20	Screw 8*1,25*45mm



ENB No:	2M0055
OEM No:	
Application:	ELSA 2, ELSA 195, ELSA 225, Ex 225
Description:	Caliper Calibration Gear
1-ET108	Brake Lining Calibration Gear



ENB No:	2M0056
OEM No:	
Application:	ELSA 2, ELSA 195, ELSA 225, Ex 225
Description:	Caliper Adjusting Mechanism
1-ET109	Adjusting Mechanism

ENB No:	2M0057
OEM No:	
Application:	ELSA 2
Description:	Caliper Adjusting Gear (Left)
1-ET110	Adjusting Gear
2-EY6	Spring
3-EK38	Seal



ENB No:	2M0058
OEM No:	
Application:	ELSA 2
Description:	Caliper Adjusting Gear (Right)
1-ET111	Adjusting Gear
2-EY6	Spring
3-EK38	Seal

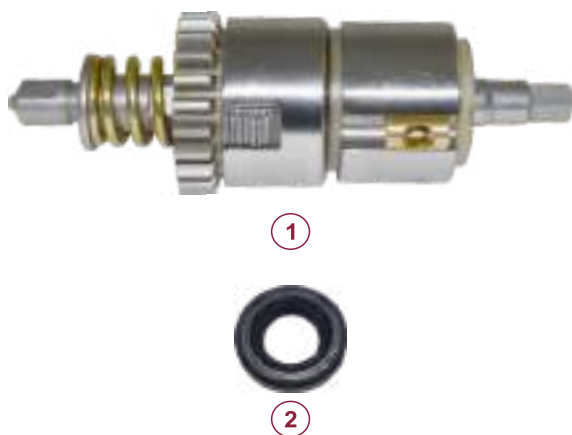


ENB No:	2M0059
OEM No:	
Application:	ELSA 195, ELSA 225, Ex 225
Description:	Caliper Adjusting Gear
1-ET112	Calibration Mechanism Complete
2-EY7	Spring
3-EK38	Seal

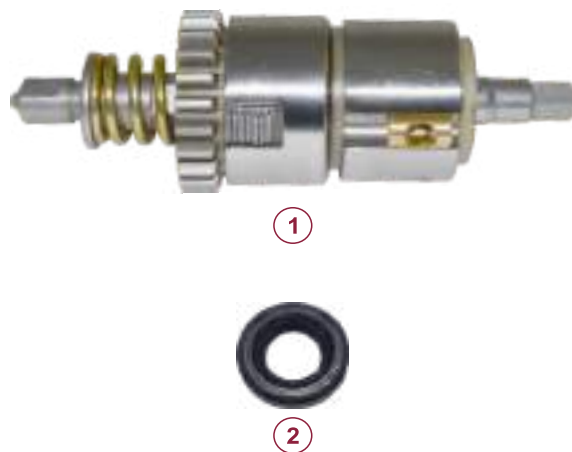




ENB No:	2M0060
OEM No:	
Application:	ELSA 2, ELSA 195, ELSA 225, Ex 225
Description:	Caliper Repair Kit
1-ES36	Bush
2-EK36	Triangle Seal
3-ES16	Ring



ENB No:	2M0061
OEM No:	MCK1113 - SJ4110 - 85102093 - 3092267
Application:	C DUCO, D DUCO, LE DUCO
Description:	Caliper Adjusting Mechanism (Front-Right/Left)
1-ET113	Adjusting Mechanism (Front-Right/Left)
2-EK38	Seal



ENB No:	2M0062
OEM No:	MCK1111 - SJ4102 - 85102095 - 3092265
Application:	C DUCO, D DUCO, LE DUCO
Description:	Caliper Adjusting Mechanism (Rear-Left)
1-ET114	Adjusting Mechanism (Rear-Left)
2-EK38	Seal



ENB No:	2M0063
OEM No:	MCK1112 - SJ4103 - 85102096 - 3092266
Application:	C DUCO - D DUCO- LE DUCO
Description:	Caliper Adjusting Mechanism (Rear-Right)
1-ET115	Adjusting Mechanism (Rear-Right)
2-EK38	Seal



1



2

ENB No:	2M0064
OEM No:	68322297PK10
Application:	C DUCO - D DUCO - LE DUCO
Description:	Caliper Eccentric Seal
1-EK39	Eccentric Seal



ENB No:	2M0065
OEM No:	MCK1237 - 3092263
Application:	C DUCO - D DUCO - LE DUCO
Description:	Caliper Adjusting Mechanism Repair Kit (Right)
1-ET116	Ajusting Mechanism (Right)
2-ET119	Tappet
3-ESK2	Snap Ring
4-EK34	Dust Cover
5-EK40	Mechanism Seal
6-EP27	Bush (Plastic)



1



2



3



4



5



6



ENB No:	2M0066
OEM No:	
Application:	C DUCO - D DUCO - LE DUCO
Description:	Caliper Adjusting Mechanism Repair Kit (Right)/Half Kit
1-ET116	Adjusting Mechanism (Right)
2-ET119	Tappet
3-ESK2	Snap Ring
4-EK34	Dust Cover
5-EK40	Mechanism Seal
6-EP27	Bush (Plastic)



ENB No:	2M0067
OEM No:	MCK1236 - 3092262
Application:	C DUCO, D DUCO, LE DUCO
Description:	Caliper Adjusting Mechanism Repair Kit (Left)
1-ET117	Adjusting Mechanism (Left)
2-ET119	Tappet
3-ESK2	Snap Ring
4-EK34	Dust Cover
5-EK40	Mechanism Seal
6-EP27	Bush (Plastic)



ENB No:	2M0068
OEM No:	
Application:	C DUCO, D DUCO, LE DUCO
Description:	Caliper Adjusting Mechanism Repair Kit (Left)/Half Kit
1-ET117	Adjusting Mechanism (Left)
2-ET119	Tappet
3-ESK2	Snap Ring
4-EK34	Dust Cover
5-EK40	Mechanism Seal
6-EP27	Bush (Plastic)

ENB No:	2M0069
OEM No:	
Application:	ELSA 1
Description:	Caliper Adjusting Gear (Right - 35mm)
1-ET120	Adjusting Gear (Right)



ENB No:	2M0070
OEM No:	
Application:	ELSA 1
Description:	Caliper Adjusting Gear (Left-35mm)
1-ET121	Adjusting Gear (Left)



ENB No:	2M0071
OEM No:	
Application:	ELSA 1
Description:	Caliper Adjusting Gear Kit (Right - 35mm)
1-ET122	Adjusting Gear Sheet
2-ET123	Metal Cap
3-ET120	Adjusting Gear (Right)

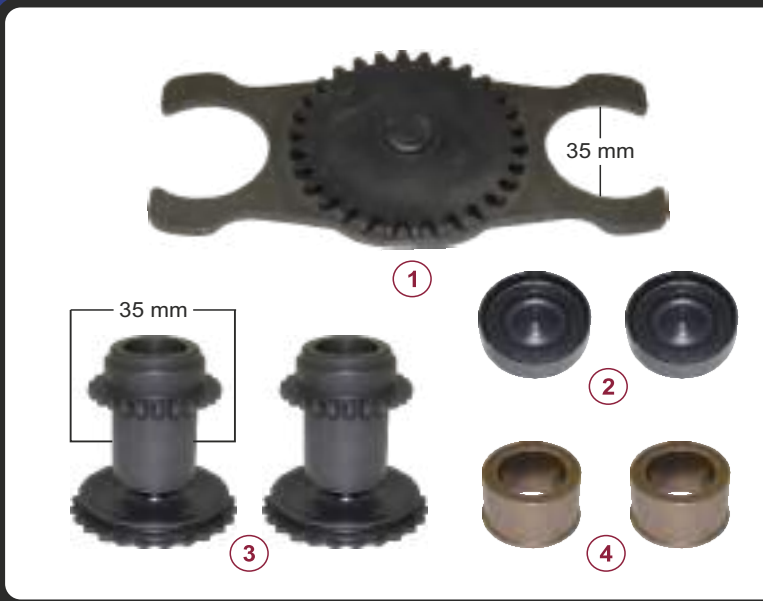




ENB No:	2M0072
OEM No:	
Application:	ELSA 1
Description:	Caliper Adjusting Gear Kit (Left - 35mm)
1-ET122	Adjusting Gear Sheet
2-ET123	Metal Cap
3-ET121	Adjusting Gear (Left)



ENB No:	2M0073
OEM No:	
Application:	ELSA 1
Description:	Caliper Adjusting Gear Kit (Right - 35mm)
1-ET122	Adjusting Gear Sheet
2-ET123	Metal Cap
3-ET120	Adjusting Gear (Right)
4-ET124	Adjusting Gear Bush



ENB No:	2M0074
OEM No:	
Application:	ELSA 1
Description:	Caliper Adjusting Gear Kit (Left - 35mm)
1-ET122	Adjusting Gear Sheet
2-ET123	Metal Cap
3-ET121	Adjusting Gear (Left)
4-ET124	Adjusting Gear Bush

ENB No:	2M0075
OEM No:	
Application:	ELSA 1
Description:	Caliper Adjusting Gear (Right - 37,5mm)
1-ET125	Adjusting Gear (Right)



ENB No:	2M0076
OEM No:	
Application:	ELSA 1
Description:	Caliper Adjusting Gear (Left-37,5mm)
1-ET126	Adjusting Gear (Left)



ENB No:	2M0077
OEM No:	
Application:	ELSA 1
Description:	Caliper Adjusting Gear Kit (Right - 37,5mm)
1-ET127	Adjusting Gear Sheet
2-ET123	Metal Cap
3-ET125	Adjusting Gear (Right)





ENB No:	2M0078
OEM No:	
Application:	ELSA 1
Description:	Caliper Adjusting Gear Kit (Left - 37,5mm)
1-ET127	Adjusting Gear Sheet
2-ET126	Adjusting Gear (Left)
3-ET123	Metal Cap



ENB No:	2M0079
OEM No:	
Application:	ELSA 1
Description:	Caliper Adjusting Gear Kit (Right - 37,5mm)
1-ET127	Adjusting Gear Sheet
2-ET123	Metal Cap
3-ET125	Adjusting Gear (Right)
4-ET128	Adjusting Gear Bush



ENB No:	2M0080
OEM No:	
Application:	ELSA 1
Description:	Caliper Adjusting Gear Kit (Left - 37,5mm)
1-ET127	Adjusting Gear Sheet
2-ET123	Metal Cap
3-ET126	Adjusting Gear (Left)
4-ET128	Adjusting Gear Bush

ENB No:	2M0081
OEM No:	
Application:	ELSA 1
Description:	Caliper Adjusting Gear Bush (35mm)
1-ET124	Adjusting Gear Bush



ENB No:	2M0082
OEM No:	
Application:	ELSA 1
Description:	Caliper Adjusting Gear Bush (37,5mm)
1-ET128	Adjusting Gear Bush

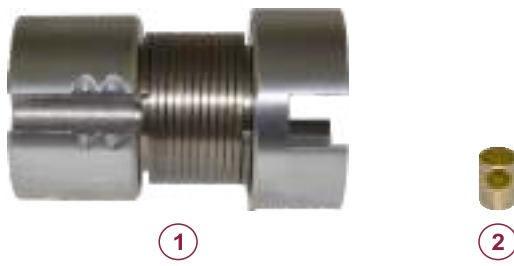


ENB No:	2M0083
OEM No:	
Application:	ELSA 1
Description:	Caliper Spring
1-EY8	Spring (Big)

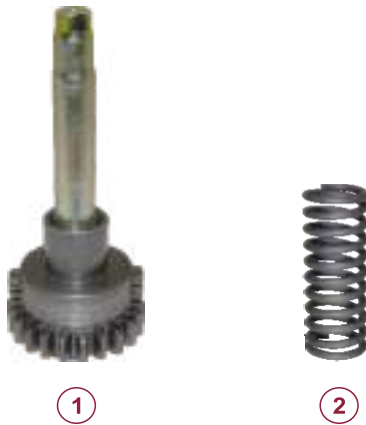




ENB No:	2M0084
OEM No:	
Application:	ELSA 1
Description:	Caliper Adjusting Mechanism (Right)
1-ET129	Adjusting Mechanism Clutch
2-ET131	Spring Pin



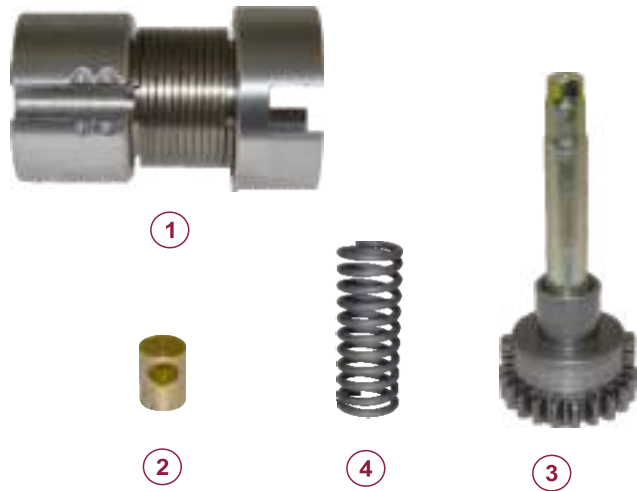
ENB No:	2M0085
OEM No:	
Application:	ELSA 1
Description:	Caliper Adjusting Mechanism (Left)
1-ET130	Adjusting Mechanism Clutch
2-ET131	Spring Pin



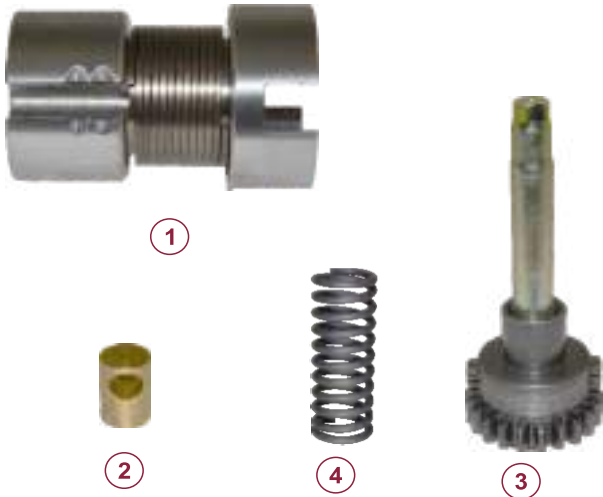
ENB No:	2M0086
OEM No:	
Application:	ELSA 1
Description:	Caliper Adjusting Gear Kit
1-ET132	Adjusting Gear
2-EY9	Spring



ENB No:	2M0087
OEM No:	
Application:	ELSA 1
Description:	Caliper Adjusting Mechanism Repair Kit (Right)
1-ET129	Adjusting Mechanism Clutch
2-ET131	Spring Pin
3-ET132	Adjusting Gear
4-EY9	Spring



ENB No:	2M0088
OEM No:	
Application:	ELSA 1
Description:	Caliper Adjusting Mechanism Repair Kit (Left)
1-ET130	Adjusting Mechanism Clutch
2-ET131	Spring Pin
3-ET132	Adjusting Gear
4-EY9	Spring



ENB No:	2M0089
OEM No:	
Application:	ELSA 1
Description:	Caliper Adjusting Gear Sheet (35mm)
1-ET122	Adjusting Gear Sheet





ENB No:	2M0090
OEM No:	
Application:	ELSA 1
Description:	Caliper Adjusting Gear Sheet (37,5mm)
1-ET127	Adjusting Gear Sheet



ENB No:	2M0091
OEM No:	
Application:	ELSA 1
Description:	Caliper Metal Cap
1-ET123	Metal Cap



ENB No:	2M0092
OEM No:	
Application:	ELSA 1
Description:	Caliper Spring Retainer Kit (Right)
1-EY10	Spring (Right)
2-ES37	Spring Retainer
3-ES38	Pin Retainer
4-ET131	Spring Pin

ENB No:	2M0093
OEM No:	
Application:	ELSA 1
Description:	Caliper Spring (Right)
1-EY10	Spring (Right)



ENB No:	2M0094
OEM No:	
Application:	ELSA 1
Description:	Caliper Spring Retainer Kit (Left)
1-EY11	Spring (Left)
2-ES37	Spring Retainer
3-ES38	Pin Retainer
4-ET131	Spring Pin



ENB No:	2M0095
OEM No:	
Application:	ELSA 1
Description:	Caliper Spring (Left)
1-EY11	Spring (Left)





ENB No:	2M0096
OEM No:	Sj4113 - 3092763
Application:	C CISA - D LISA
Description:	Caliper Adjusting Mechanism (Left)
1-ET133	Adjusting Mechanism (Left)
2-EY12	Spring
3-EK41	Boot



ENB No:	2M0097
OEM No:	Sj4114 - 3092764
Application:	C LISA , D LISA
Description:	Caliper Adjusting Mechanism (Right)
1-ET134	Adjusting Mechanism (Left)
2-EY12	Spring
3-EK41	Boot



ENB No:	2M0098
OEM No:	MCK1151 - MCK1021 - 85104827
Application:	C LISA, D LISA
Description:	Caliper Adjusting Gear Kit (Left)
1-ET135	Adjusting Shaft
2-ET137	Housing
3-ER7	Ball Bearing
4-ET139	Pin
5-EGR2	Grease Nipple

ENB No:	2M0099
OEM No:	MCK1152 - MCK1022 - 85104828
Application:	C LISA, D LISA
Description:	Caliper Adjusting Gear Kit(Right)
1-ET136	Adjusting Shaft
2-ET138	Housing
3-ER7	Ball Bearing
4-ET139	Pin
5-EGR2	Grease Nipple



ENB No:	2M0100
OEM No:	
Application:	C LISA, D LISA
Description:	Caliper Adjusting Shaft (Left)
1-ET135	Adjusting Shaft
2-EGR2	Grease Nipple



ENB No:	2M0101
OEM No:	
Application:	C LISA, D LISA
Description:	Caliper Adjusting Shaft (Right)
1-ET136	Adjusting Shsft
2-EGR2	Grease Nipple





ENB No:	2M0102
OEM No:	
Application:	C LISA, D LISA
Description:	Caliper Housing (Left)
1-ET137	Housing



ENB No:	2M0103
OEM No:	
Application:	C LISA, D LISA
Description:	Caliper Housing (Right)
1-ET138	Housing



ENB No:	2M0104
OEM No:	Sj4031 - 8550893
Application:	C LISA, D LISA
Description:	Caliper Bearing Kit
1-ER8	Bearing
2-EB8	Bush
3-ET140	Metal Sheet
4-ER9	Bearing
5-ET167	Ring

ENB No:	2M0105
OEM No:	Sj4074 - 309811
Application:	C LISA, D LISA
Description:	Caliper Gear Small (Right)
1-ET141 2-EY13	Adjusting Gear Spring



①



②

ENB No:	2M0106
OEM No:	Sj4073 - 3098110
Application:	C LISA, D LISA
Description:	Caliper Gear Small (Left)
1-ET142 2-EY13	Adjusting Gear Spring



①



②

ENB No:	2M0107
OEM No:	
Application:	MB, MAN, RVI
Description:	Caliper Gear Big (Right)
1-ET143	Adjusting Gear





ENB No:	2M0108
OEM No:	
Application:	MB, MAN, RVI
Description:	Caliper Gear Big (Left)
1-ET144	Adjusting Gear



ENB No:	2M0109
OEM No:	
Application:	MB, MAN, RVI
Description:	Caliper Shaft Short (Right)
1-ET145	Shaft Short (26 Thread)



ENB No:	2M0110
OEM No:	
Application:	MB, MAN, RVI
Description:	Caliper Shaft Short (Left)
1-ET146	Shaft Short (26Thread)



ENB No:	2M0111
OEM No:	
Application:	MB, MAN, RVI
Description:	Caliper Shaft Short (Right)
1-ET147	Shaft Sjort (48 Thread )



ENB No:	2M0112
OEM No:	
Application:	MB, MAN, RVI
Description:	Caliper Shaft Short (Left)
1-ET148	Shaft Short (48 Thread)



ENB No:	2M0113
OEM No:	
Application:	MB, MAN, RVI
Description:	Caliper Shaft Long (Right)
1-ET149	Shaft Long (26 Thread)





ENB No:	2M0114
OEM No:	
Application:	MB, MAN, RVI
Description:	Caliper Shaft Long (Left)
1-ET150	Shaft Long (26 Thread)

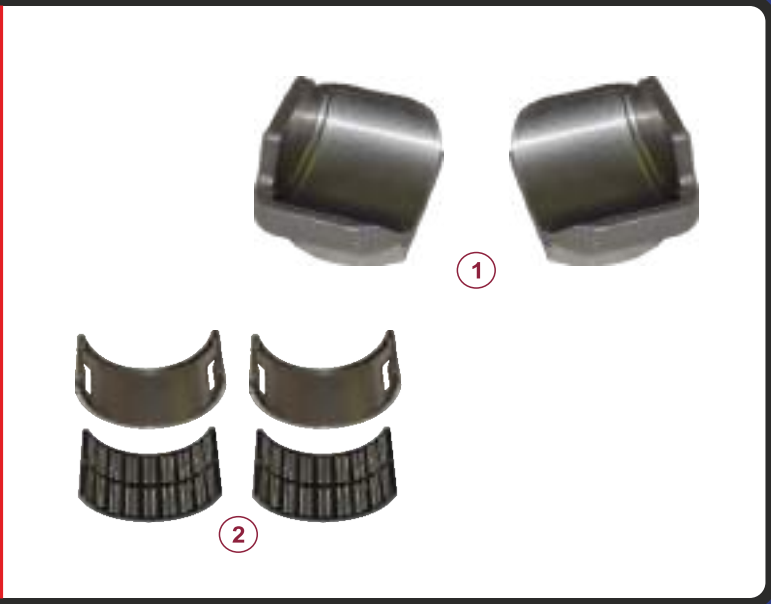


ENB No:	2M0115
OEM No:	
Application:	MB, MAN, RVI
Description:	Caliper Housing (Left)
1-ET151	Housing



ENB No:	2M0116
OEM No:	
Application:	MB, MAN, RVI
Description:	Caliper Housing (Right)
1-ET152	Housing

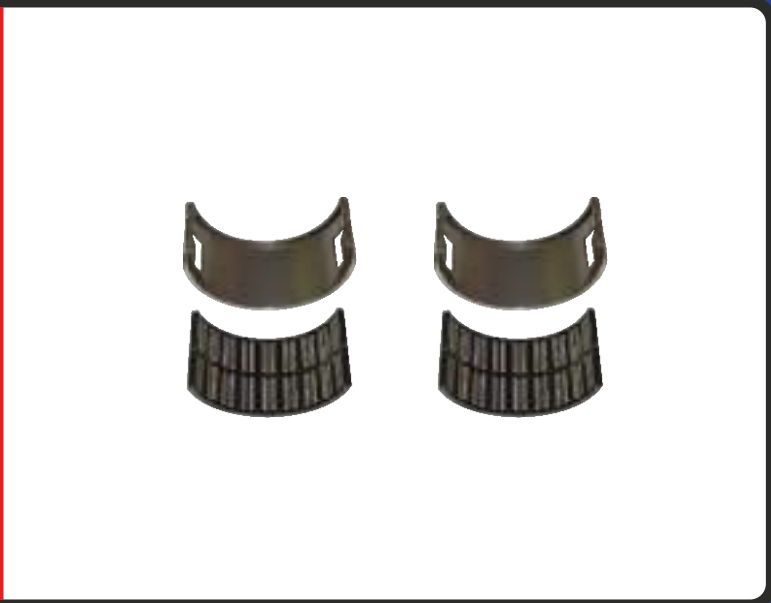
ENB No:	2M0117
OEM No:	
Application:	ELSA 2, ELSA 195, ELSA 225, Ex225
Description:	Caliper Roller Bearing Kit
1-ET153	Bearing Cap
2-ER10	Roller Bearing

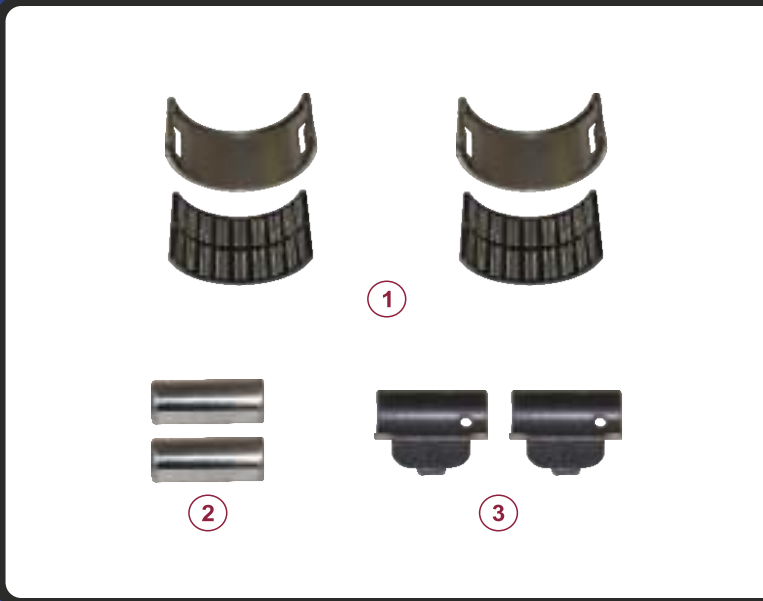


ENB No:	2M0118
OEM No:	
Application:	ELSA 2, ELSA 195, ELSA 225, Ex 225
Description:	Caliper Bearing Cap
1-ET153	Bearing Cap



ENB No:	2M0119
OEM No:	
Application:	ELSA 1, ELSA 2, ELSA 195, ELSA 225, Ex 225
Description:	Caliper Roller Bearing
1-ER10	Roller Bearing

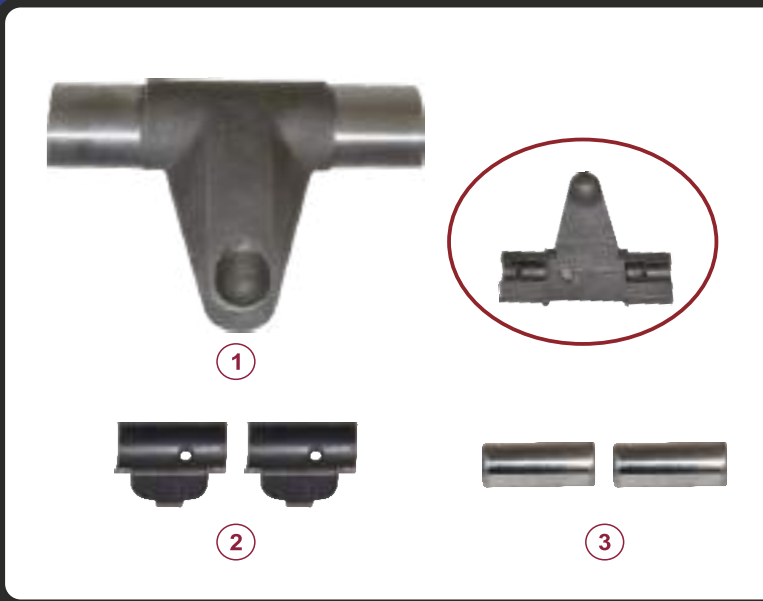




ENB No:	2M0120
OEM No:	Sj4098 - 3092261
Application:	DUCO
Description:	Caliper Roller Bearing Kit
1-ER10	Ball Bearing
2-ET154	Pin
3-ES39	Lver Bearing

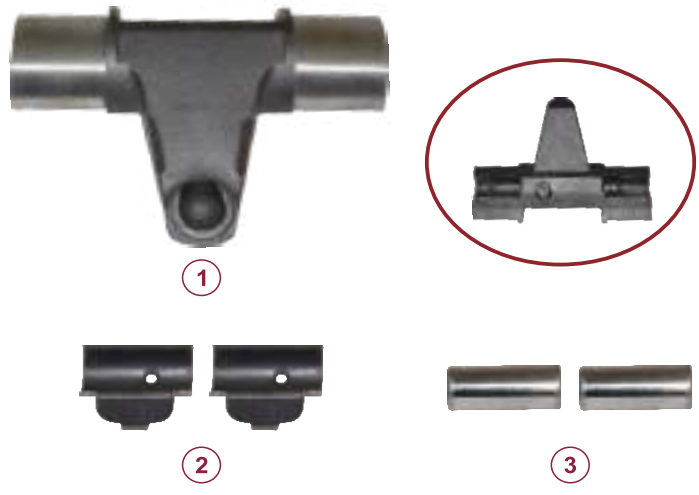


ENB No:	2M0121
OEM No:	Sj4112 - 3092329
Application:	DUCO, ELSA, Ex 225
Description:	Caliper Roller Bearing Kit
1-ER10	Roller Bearing
2-ET154	Pin
3-ES40	Lever Bearing

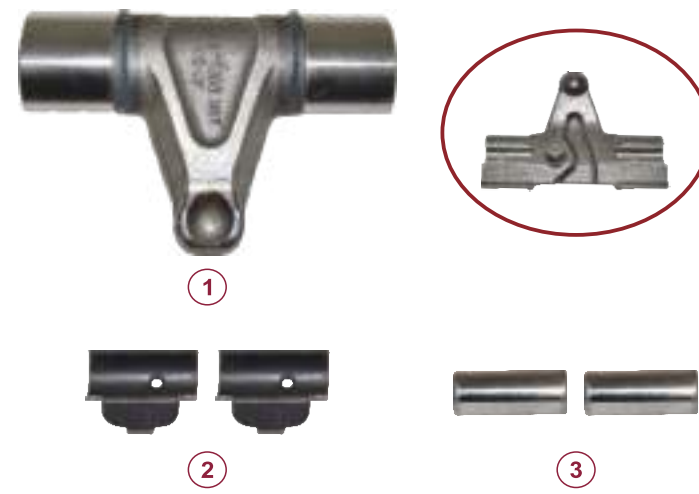


ENB No:	2M0122
OEM No:	
Application:	ELSA 2
Description:	Caliper Lever (Left - Right)
1-ET155	Lever
2-ES40	Lever Bearing
3-ET154	Pin

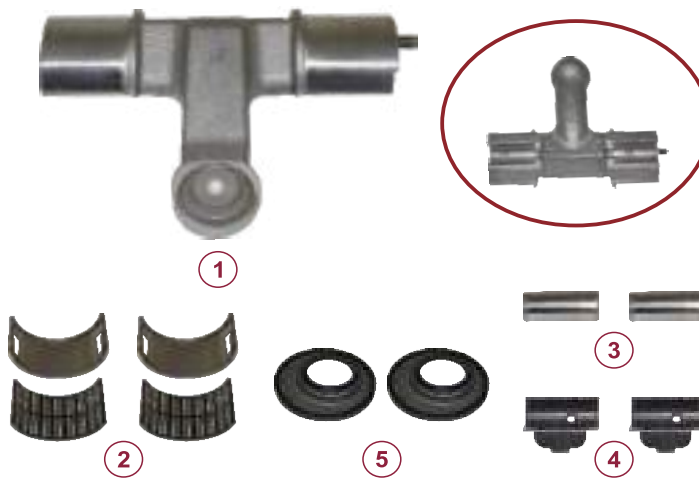
ENB No:	2M0123
OEM No:	
Application:	ELSA 195, ELSA 225
Description:	Caliper Lever (Left - Right)
1-ET156	Lever
2-ES40	Lever Bearing
3-ET154	Pin

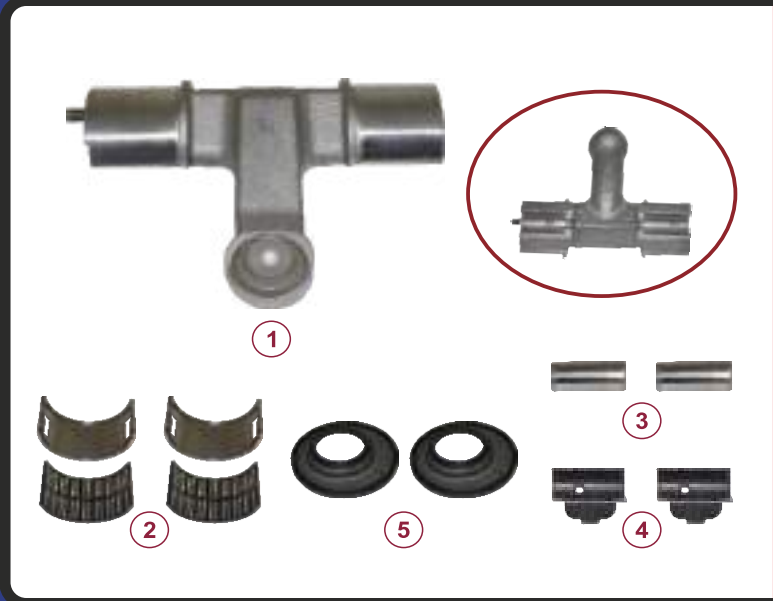


ENB No:	2M0124
OEM No:	
Application:	Ex 225
Description:	Caliper Lever (Left - Right)
1-ET157	Lever
2-ES40	Lever Bearing
3-ET154	Pin

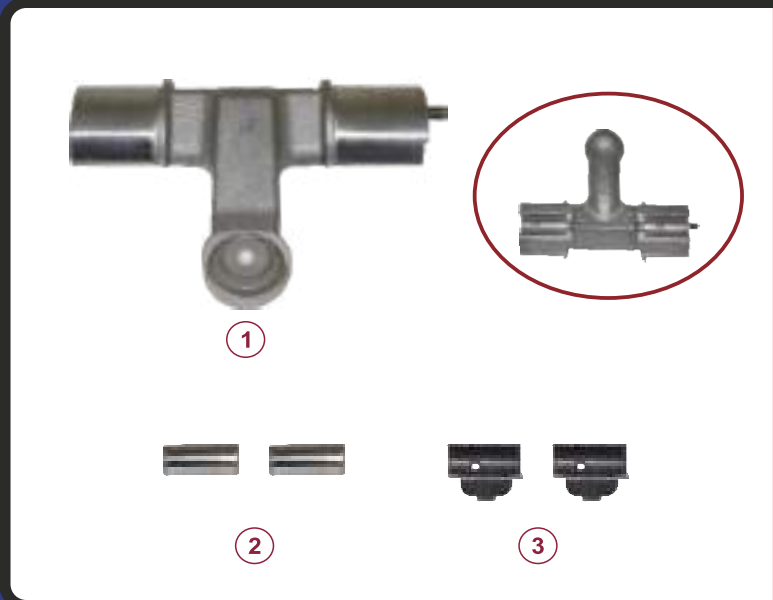


ENB No:	2M0125
OEM No:	Sj4096 - MCK1398 - 85109975 - 3092258
Application:	DUCO
Description:	Caliper Lever Repair Kit (Left)
1-ET158	Lever
2-ER10	Roller Bearing
3-ET154	Pin
4-ES40	Lever Bearing
5-EK39	Eccentric Seal

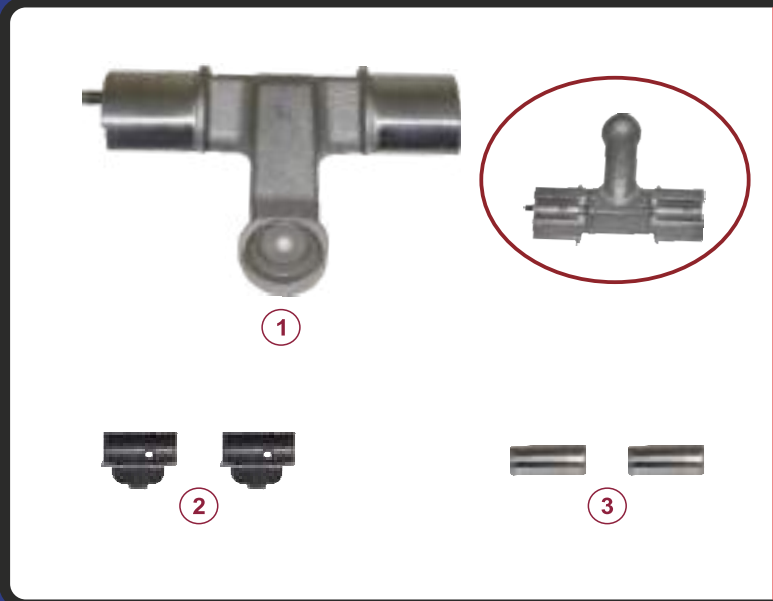




ENB No:	2M0126
OEM No:	Sj4097 - MCK1399 - 85109976 - 3092259 21109754
Application:	DUCO
Description:	Caliper Lever Repair Kit (Right)
1-ET159	Lever
2-ER10	Roller Bearing
3-ET154	Pin
4-ES40	Lever Bearing
5-EK39	Eccentric Seal



ENB No:	2M0127
OEM No:	
Application:	DUCO
Description:	Caliper Lever (Left)
1-ET158	Lever
2-ES40	Lever Bearing
3-ET154	Pin



ENB No:	2M0128
OEM No:	
Application:	DUCO
Description:	Caliper Lever (Right)
1-ET159	Lever
2-ES40	Lever Bearing
3-ET154	Pin

ENB No:	2M0129
OEM No:	
Application:	ELSA 1
Description:	Caliper Lever (Left)
1-ET160	Lever
2-ES40	Lever Bearing
3-ET154	Pin



1



2

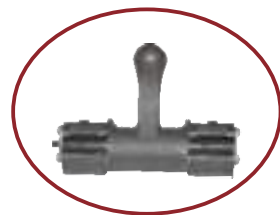


3

ENB No:	2M0130
OEM No:	
Application:	ELSA 1
Description:	Caliper Lever (Right)
1-ET161	Lever
2-ES40	Lever Bearing
3-ET154	Pin



1



3



2

ENB No:	2M0131
OEM No:	Sj4108
Application:	DUCO
Description:	Caliper Lever (Left - Right)
1-ET162	Lever
2-ER10	Roller Bearing
3-ET154	Pin
4-ES39	Lever Bearing
5-EK39	Eccentric Seal



1



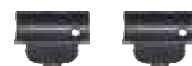
2



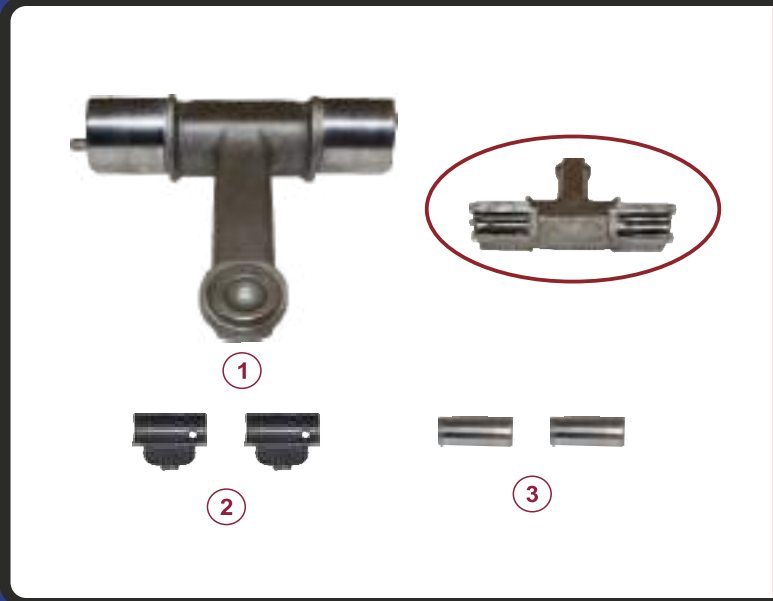
5



3



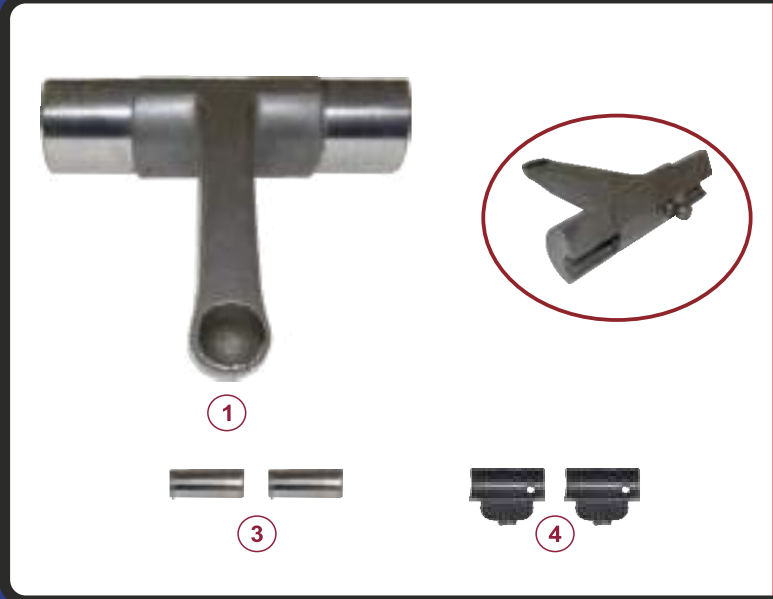
4



ENB No:	2M0132
OEM No:	
Application:	DUCO
Description:	Caliper Lever Repair Kit (Left - Right)
1-ET162	Lever
2-ES39	Roller Bearing
3-ET154	Pin



ENB No:	2M0133
OEM No:	Sj4018
Application:	ELSA 2
Description:	Caliper Lever Repair Kit (Left - Right)
1-ET163	Lever
2-ER10	Roller Bearing
3-ET154	Pin
4-ES39	Lever Bearing
5-EK39	Eccentric Seal



ENB No:	2M0134
OEM No:	
Application:	ELSA 2
Description:	Caliper Lever ( Left - Right)
1-ET163	Lever
2-ES39	Lever Bearing
3-ET154	Pin



ENB No:	2M0135
OEM No:	Sj4077 - 3098109
Application:	LISA
Description:	Caliper Boot Kit
1-EK44	Boot
2-EK45	Boot

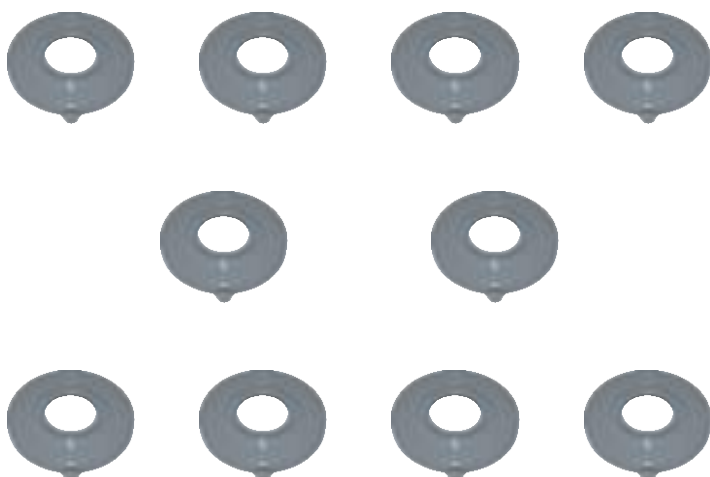


ENB No:	2M0136
OEM No:	
Application:	LISA
Description:	Caliper Boot
1-EK45	Boot



ENB No:	2M0137
OEM No:	Sj4053
Application:	ELSA 2, ELSA 195, ELSA 225, Ex 225
Description:	Caliper Repair Kit
1-EK44	Boot





ENB No:	2M0138
OEM No:	68324854PK10
Application:	ELSA2 , ELSA 195, ELSA 225, Ex 225
Description:	Caliper Dust Cover
1-EK34	Dust Cover



ENB No:	2M0139
OEM No:	MCK1139 - 85107913 - 81.50802.6024
Application:	ELSA 2, ELSA 195, ELSA 225, Ex 225
Description:	Caliper Dust Cover
1-EK34	Dust Cover

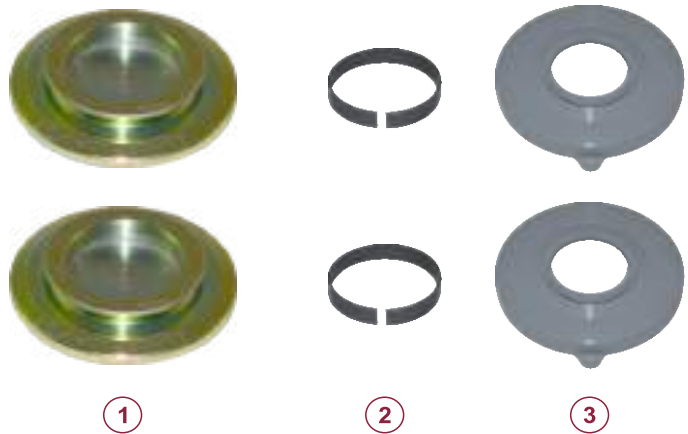


ENB No:	2M0140
OEM No:	St1156 - 81508026016
Application:	ELSA 1
Description:	Caliper Dust Cover
1-EK46	Tappet Dust Cover

ENB No:	2M0141
OEM No:	MCK1238 - 3092264
Application:	B DUCO, C DUCO, D DUCO, LE DUCO
Description:	Caliper Repair Kit
1-EK34	Dust Cover
2-ET119	Tappet
3-ESK2	Snap Ring



ENB No:	2M0142
OEM No:	MCK1309 - 5001866398
Application:	ELSA 2 - ELSA 195, ELSA 225 - Ex 225
Description:	Caliper Repair Kit
1-ET165	Tappet
2-ES35	Piston Ring
3-EK34	Dust Cover



ENB No:	2M0143
OEM No:	
Application:	ELSA 2, ELSA 195, ELSA 225, Ex 225
Description:	Caliper Tappet Repair Kit
1-ET165	Tappet
2-ES35	Piston Ring





ENB No:	2M0144
OEM No:	
Application:	B DUCO, C DUCO, D DUCO, LE DUCO
Description:	Caliper Tappet Repair Kit
1-ET119	Tappet
2-ESK2	Snap Ring



ENB No:	2M0145
OEM No:	MCK1118 - 85102092
Application:	D DUCO
Description:	Caliper Repair Kit (Front)
1-ET17	Guide Pin 35*102mm
2-EC22	Screw 20*2*125mm
3-EP28	Bush (Plastic)
4-EK44	Boot
5-ES17	Ring
6-ES18	Metal Tap
7-EB9	Bush

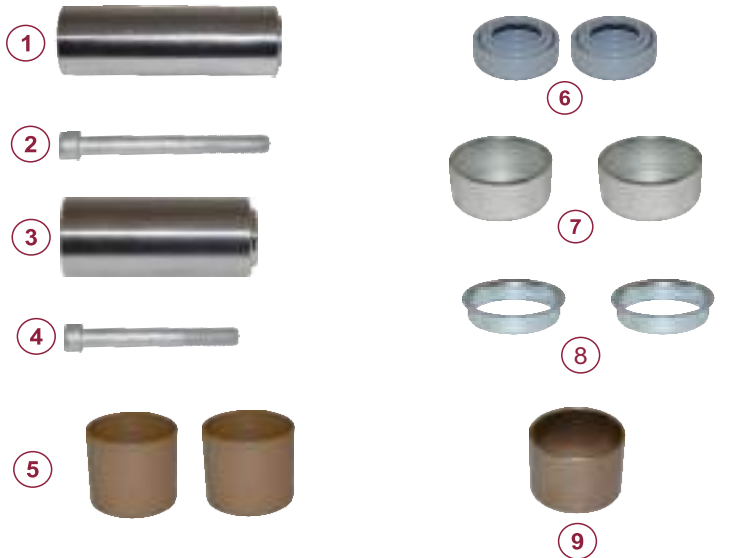


ENB No:	2M0146
OEM No:	MCK1116 - 85102094
Application:	B DUCO, C DUCO, D DUCO, LE DUCO
Description:	Caliper Repair Kit (Rear)
1-ET17	Guide Pin 35*102mm
2-EC22	Screw 20*2*125mm
3-ET18	Guide Pin 35*60mm
4-EC23	Screw 20*2*80mm
5-EK44	Boot
6-ES17	Ring
7-ES18	Metal Tap
8-EP28	Bush (Plastic)
9-EB9	Bush

ENB No:	2M0147
OEM No:	MCK1135 - 85103891
Application:	D DUCO
Description:	Caliper Repair Kit
1-ET17	Guide Pin 35*102mm
2-EC22	Screw 20*2*125mm
3-EP29	Bush (Plastic)
4-EK44	Boot
5-ES18	Metal Tap
6-ES17	Ring
7-EB9	Bush



ENB No:	2M0148
OEM No:	MCK1134 - 85103892
Application:	B DUCO, C DUCO, D DUCO
Description:	Caliper Repair Kit
1-ET17	Guide Pin 35*102mm
2-EC22	Screw 20*2*125mm
3-ET18	Guide Pin 35*60mm
4-EC23	Screw 20*2*80mm
5-EP29	Bush (Plastic)
6-EK44	Boot
7-ES18	Metal Tap
8-ES17	Ring
9-EB9	Bush



ENB No:	2M0149
OEM No:	MCK1298 - 85109890 - 5001866989
Application:	ELSA 195, ELSA 225, Ex 225
Description:	Caliper Repair Kit
1-ET19	Guide Pin 35*117mm
2-EC24	Screw 18*1,5*120mm
3-ET20	Guide Pin 31*78mm
4-EC25	Screw 18*1,5*82mm
5-EK44	Boot
6-ES17	Ring
7-ES19	Metal Tap
8-EB10	Bush
9-EB11	Bush
10-EC26	Screw 16*1,5*40mm
11-EC27	Screw 14*1,5*40mm





ENB No:	2M0150
OEM No:	MCK1254
Application:	ELSA 195, ELSA 225, Ex 225
Description:	Caliper Repair Kit
1-ET19	Guide Pin 35*117mm
2-EC24	Screw 18*1,5*120mm
3-ET20	Guide Pin 31*78mm
4-EC25	Screw 18*1,5*78
5-EK44	Boot
6-ES17	Ring
7-ES19	Metal Tap
8-EB10	Bush
9-EB11	Bush
10-EC26	Screw 16*1,5*40mm



ENB No:	2M0151
OEM No:	MCK1317 - 85109899 - 5001866385
Application:	ELSA 195 - ELSA 225 - Ex 225
Description:	Caliper Repair Kit
1-ET19	Guide Pin 35*117mm
2-EC24	Screw 20*2*120mm
3-ET21	Guide Pin 31*117mm
4-EK44	Boot
5-ES17	Ring
6-ES19	Metal Tap
7-EB10	Bush
8-EB11	Bush
9-C26	Screw 16*1,5*40mm



ENB No:	2M0152
OEM No:	Sj4052 - 5001845385
Application:	C LISA
Description:	Caliper Repair Kit
1-ET22	Guide Pin 35*115mm
2-EC28	Screw 18*1,5*135mm
3-ET23	Guide Pin 30*75mm
4-EC29	Screw 18*1,5*95mm
5-EB12	Bush
6-ES20	Metal Tap
7-EK45	Boot
8-ET166	Ring
9-EP30	Bush
10-ES21	Metal Tap

ENB No:	2M0153
OEM No:	Sj4076 - MCK1104 - 5001837006 3098108
Application:	D LISA
Description:	Caliper Repair Kit
1-ET24	Guide Pin 35*131mm
2-EC30	Screw 20*1,5*150mm
3-ET25	Guide Pin 35*79mm
4-EC31	Screw 20*1,5*100
5-EK44	Boot
6-ES22	Metal Tap
7-ET167	Ring
8-EB13	Bush
9-EB11	Bush



ENB No:	2M0154
OEM No:	MCK1102 - 81.50802.6017 - 81.50802.6020 81.50802.6021
Application:	ELSA 1
Description:	Caliper Repair Kit
1-ET26	Guide Pin 35*135mm
2-EC30	Screw 20*1,5*150mm
3-ET27	Guide Pin 35*72mm
4-EC32	Screw 20*1,5*90mm
5-EB14	Bush
6-ET168	Ring
7-EK44	Boot
8-ES23	Metal Tap
9-ET169	Ring
10-EB11	Bush



ENB No:	2M0155
OEM No:	MCK1103 - 81.50802.6022
Application:	ELSA 1
Description:	Caliper Repair Kit
1-ET26	Guide Pin 35*135mm
2-EC30	Screw 18*1,5*150mm
3-ET28	Guide Pin 28,5*110mm
4-EK47	Rubber Bush
5-EK44	Boot
6-ES23	Metal Tap
7-EB11	Bush
8-ET169	Ring
9-ET170	Ring





ENB No:	2M0156
OEM No:	MCK1243 - MCK1140 - 5001860791 85107912 - 81.50802.6025
Application:	ELSA 2
Description:	Caliper Repair Kit
1-ET29	Guide Pin 35*144mm
2-EC33	Screw 18*1,5*150mm
3-ET30	Guide Pin 31*84mm
4-EC34	Screw 18*1,5*90mm
5-EK44	Boot
6-ES19	Metal Tap
7-ET171	Ring
8-EB11	Bush
9-EB10	Bush
10-EC38	Screw 10*1,25*20mm
11-EC26	Screw 16*1,5*40mm



ENB No:	2M0157
OEM No:	MCK1086 - 5001858717
Application:	ELSA 2
Description:	Caliper Repair Kit
1-ET31	Guide Pin 35*125mm
2-EC30	Screw 20*1,5*150mm
3-ET32	Guide Pin 33/35*66mm
4-EC32	Screw 20*1,5*90mm
5-ES24	Metal Ring
6-EC38	Screw 10*1,25*20mm
7-EK44	Boot
8-ES19	Metal Tap
9-EC26	Screw 16*1,5*40mm
10-EB11	Bush



ENB No:	2M0158
OEM No:	Sj4011 - MCK1213 - 0004200676 81.50802.6008 - 81.50802.6009 SJ1228
Application:	MB, MAN
Description:	Caliper Repair Kit
1-EK48	Dust Cover
2-ES26	Metal Tap
3-EB15	Bush
4-EB16	Bush
5-ES25	Metal Tap
6-ET33	Guide Pin 32*117mm
7-ET34	Guide Pin 32*73mm
8-EC24	Screw 18*1,5*120mm
9-EC29	Screw 18*1,5*95mm



ENB No:	2M0159
OEM No:	Sj4001 - 5001822994
Application:	MB, RVI
Description:	Caliper Repair Kit
1-EK48	Dust Cover
2-ES26	Metal Tap
3-ES25	Metal Tap
4-ET33	Guide Pin 32*117mm
5-ET34	Guide Pin 32*73mm
6-EC24	Screw 18*1,5*120mm
7-EC29	Screw 18*1,5*95mm



ENB No:	2M0160
OEM No:	Sj4032
Application:	C LISA, D LISA
Description:	Caliper Repair Kit
1-ECN2	Gasket
2-EK41	Boot
3-EK49	O-Ring
4-EK45	Boot
5-EK44	Boot
6-EK50	Boot



ENB No:	2M0161
OEM No:	Sj4078 - 3098113 - 3097526
Application:	D LISA
Description:	Caliper Repair Kit
1-ECN2	Gasket
2-EK41	Boot
3-EK49	O-Ring
4-EK45	Boot
5-EK44	Boot
6-ES27	Metal Ring
7-EK42	Seal 40*57*4,5mm
8-EK50	Boot
9-EK43	Seal
10-EGR2	Grease Nipple





ENB No:	2M0162
OEM No:	Sj4061
Application:	C LISA
Description:	Caliper Repair Kit
1-ECN2	Gasket
2-EK41	Boot
3-EK49	O-Ring
4-EK45	Boot
5-ES27	Metal Ring
6-EK42	Seal 40*57*4,5mm
7-EK50	Boot
8-EK43	Seal



ENB No:	2M0163
OEM No:	MCK1086 -5001860792
Application:	ELSA 2, ELSA 195, ELSA 225, Ex 225
Description:	Caliper Repair Kit
1-EK34	Dust Cover
2-EK44	Boot
3-EK51	Dust Cover
4-ES19	Metal Tap
5-EC26	Screw 16*1,5*40mm
6-EK52	Seal



ENB No:	2M0164
OEM No:	MCK1299 - 3095628 - 85107718
Application:	B DUCO, C DUCO, D DUCO, LE DUCO
Description:	Caliper Repair Kit
1-ET17	Guide Pin 35*102mm
2-EC22	Screw 20*2*125mm
3-EK44	Boot
4-ES18	Metal Tap
5-EC23	Seal

ENB No:	2M0165
OEM No:	MCK1065
Application:	B DUCO, C DUCO, D DUCO, LE DUCO
Description:	Caliper Repair Kit
1-ET17	Guide Pin 35*102mm
2-EK44	Boot
3-ES18	Metal Tap



①



②



③

ENB No:	2M0166
OEM No:	225200
Application:	ELSA 195, ELSA 225, Ex 225
Description:	Caliper Repair Kit
1-ET19	Guide Pin 35*117mm
2-EC24	Screw 18*1,5*120mm
3-ET20	Guide Pin 31*78mm
4-EC25	Screw 18*1,5*82mm
5-EC26	Screw 18*1,5*40mm
6-EK44	Boot
7-EK34	Dust Cover



①



②



③



④



⑦



⑥



⑤

ENB No:	2M0167
OEM No:	MCK1310 - 85109892 - 5001868400
Application:	ELSA 195, ELSA 225, Ex 225
Description:	Caliper Repair Kit
1-EC26	Screw 16*1,5*40mm
2-EC27	Screw 14*1,5*40mm
3-EC24	Screw 18*1,5*120mm
4-EK44	Boot
5-ES19	Metal Tap



①



②



③



④



⑤



1



2



4



3

ENB No: 2M0168

OEM No: 225201

Application: ELSA 195, ELSA 225, Ex 225

Description: Caliper Repair Kit

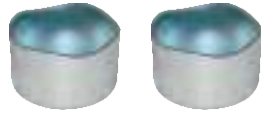
1-EC26	Screw 16*1,5*40mm
2-EK44	Boot
3-EK34	Dust Cover
4-EK51	Dust Cover



1



2



3

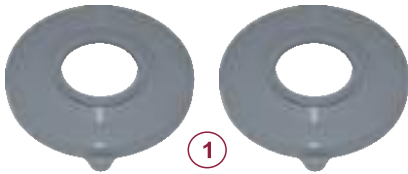
ENB No: 2M0169

OEM No: MCK1253

Application: ELSA 195, ELSA 225, Ex 225

Description: Caliper Repair Kit

1-EC26	Screw 16*1,5*40mm
2-EK44	Boot
3-ES19	Metal Tap



1



4



2



3



5

ENB No: 2M0170

OEM No: MCK1088 - 5001858718

Application: ELSA 2, ELSA 195, ELSA 225, Ex 225

Description: Caliper Repair Kit

1-EK34	Dust Cover
2-EK44	Boot
3-EK51	Dust Cover
4-EC26	Screw 16*1,5*40mm
5-EK52	Seal

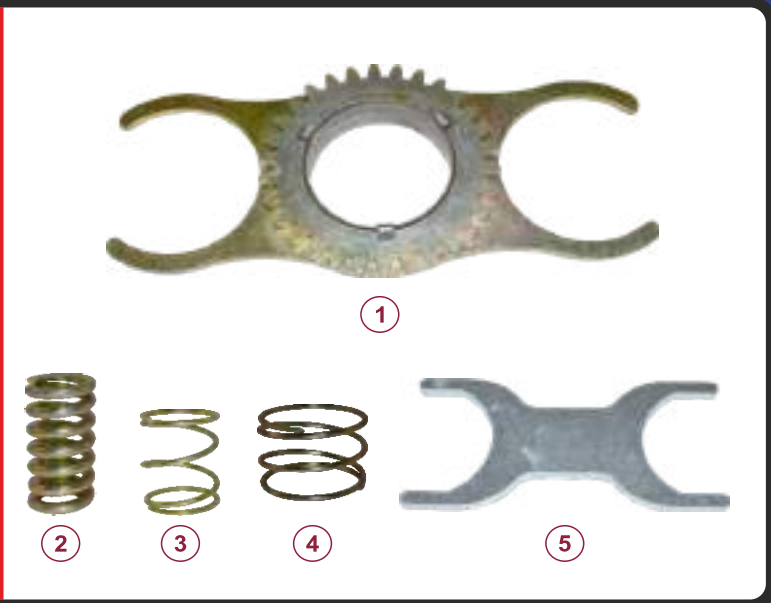
ENB No:	2M0171
OEM No:	
Application:	ELSA 2, ELSA 195, ELSA 225, Ex 225
Description:	Caliper Repair Kit
1-EK34	Dust Cover
2-EK44	Boot
3-EK51	Dust Cover
4-EK52	Seal

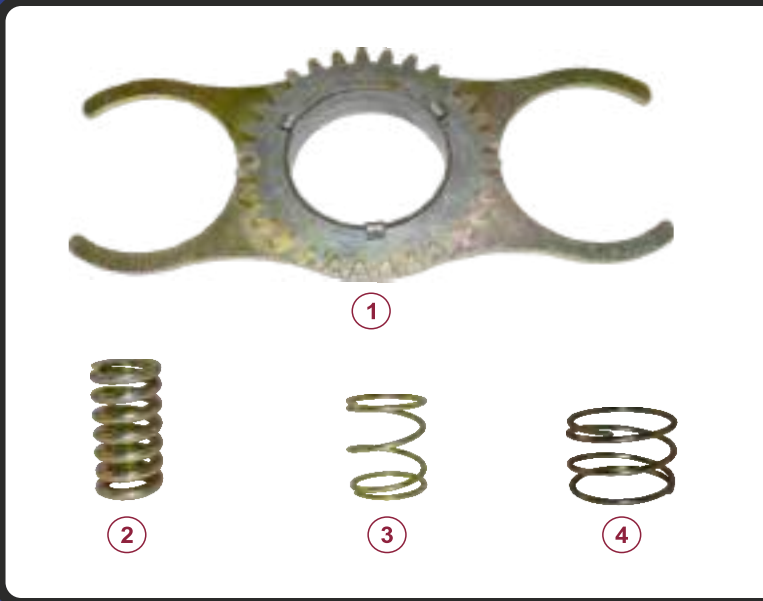


ENB No:	2M0172
OEM No:	Sj4021 - 8550881
Application:	D LISA
Description:	Caliper Repair Kit
1-EC30	Screw 20*1,5*150mm
2-EC31	Screw 20*1,5*100mm
3-ES22	Metal Tap



ENB No:	2M0173
OEM No:	MCK1067 - 3095626
Application:	D DUCO
Description:	Caliper Gear and Springs Kit
1-ES28	Center Gear Sheet
2-EY14	Center Gear Spring (Small)
3-EY15	Center Gear Spring (Big)
4-EY8	Center Gear Spring (Big)
5-ES29	Locking Shim

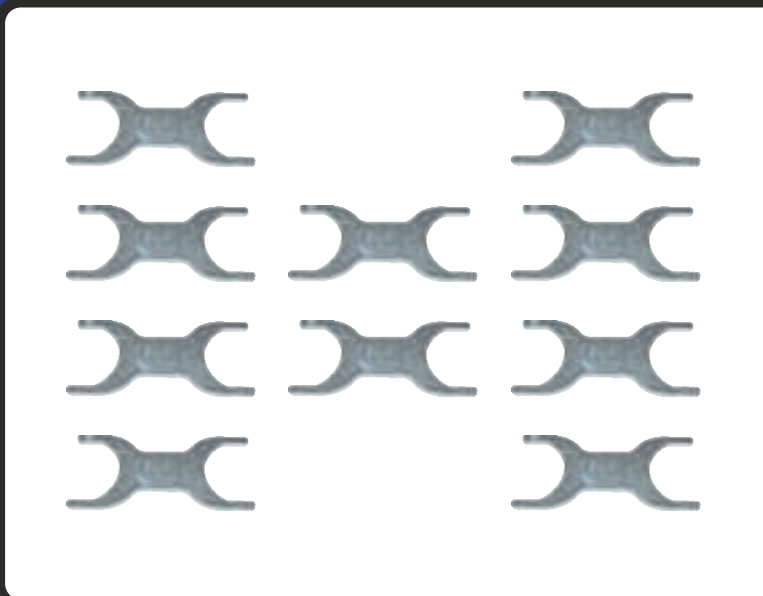




ENB No:	2M0174
OEM No:	
Application:	D DUCO
Description:	Clapier Gear and Springs Kit
1-ES28	Center Gear Sheet
2-EY14	Center Gear Spring (Small)
3-EY15	Center Gear Spring (Big)
4-EY8	Center Gear Spring (Big)



ENB No:	2M0175
OEM No:	MCK1129 - 85102099
Application:	C DUCO, LE DUCO
Description:	Caliper Gear and Springs Kit
1-ES30	Center Gear Sheet
2-EY38	Center Gear Spring (Big)
3-EY18	Center Gear Spring (Small)



ENB No:	2M0176
OEM No:	68322900PK10
Application:	B DUCO, D DUCO
Description:	Caliper Locking Shim
1-ES29	Locking Shim

ENB No:	2M0177
OEM No:	Sj4109 - 3092270
Application:	D DUCO, RADIAL
Description:	Caliper Cover Plate Gasket Kit
1-EK53	Gasket
2-EK54	Dust Cover
3-EK39	Eccentric Seal
4-EK38	Seal



1



2



3

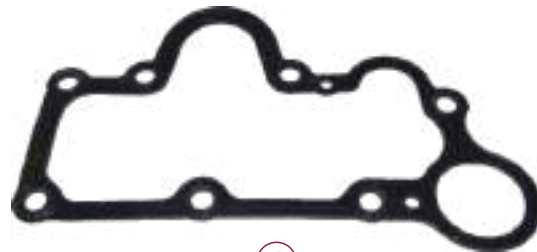


4

ENB No:	2M0178
OEM No:	
Application:	D DUCO - RADIAL
Description:	Caliper Cover Plate Gasket
1-EK53	Gasket



ENB No:	2M0179
OEM No:	MCK1041 - 3095669
Application:	B DUCO - C DUCO LE DUCO
Description:	Caliper Cover Plate Gasket Kit
1-EK55	Gasket
2-EK51	Dust Cover
3-EK39	Eccentric Seal
4-EK38	Seal



1



2



3



4



ENB No:	2M0180
OEM No:	
Application:	B DUCO, C DUCO, LE DUCO
Description:	Caliper Cover Plate Gasket
1-EK55	Gasket



ENB No:	2M0181
OEM No:	Sj4105 - 3092269
Application:	C DUCO
Description:	Caliper Cover Plate Gasket Kit
1-EK56	Gasket
2-EK51	Dust Cover
3-EK39	Eccentric Seal
4-EK38	Seal



ENB No:	2M0182
OEM No:	68322774
Application:	D DUCO
Description:	Caliper Cover Plate Gasket
1-EK56	Gasket



ENB No:	2M0183
OEM No:	
Application:	ELSA 2
Description:	Caliper Calibration Mechanim Gasket
1-EK35	Gasket



ENB No:	2M0184
OEM No:	
Application:	ELSA 195, ELSA 225, Ex 225
Description:	Caliper Calibration Mechanism Gasket
1-EK37	Gasket



ENB No:	2M0185
OEM No:	68322655PK10
Application:	DUCO - ELSA
Description:	Caliper Adjusting Dust Cover
1-EK51	Dust Cover





ENB No:	2M0186
OEM No:	68322655PK10
Application:	D DUCO, RADIAL
Description:	Caliper Adjusting Dust Cover
1-EK54	Gasket



ENB No:	2M0187
OEM No:	68323746PK10
Application:	ELSA 2, ELSA 195, ELSA 225
Description:	Caliper Seal
1-EK52	Seal



ENB No:	2M0188
OEM No:	
Application:	MB, MAN, RVI
Description:	Caliper Push Plate
1-ET172	Push Plate

ENB No:	2M0189
OEM No:	68915080 - 68915081
Application:	C LISA, D LISA
Description:	Caliper Lever
1-ET173	Lever
2-EC39	Screw



②



①

ENB No:	2M0190
OEM No:	Sj4117 - 3092765
Application:	LISA
Description:	Caliper Push Plate
1-ET174	Push Plate



ENB No:	2M0191
OEM No:	68322562PK
Application:	DUCO - ELSA 1
Description:	Caliper Mechanism Gear (Left)
1-EP31	Plastic Gear





ENB No:	2M0192
OEM No:	68322563PK
Application:	DUCO, ELSA 1
Description:	Clapier Mechanism Gear (Right)
1-EP32	Plastic Gear



ENB No:	2M0193
OEM No:	68322300PK
Application:	ELSA 1
Description:	Caliper Repair Kit
1-EK57	Rubber Tap
2-EK58	Seal
3-ET175	Bush

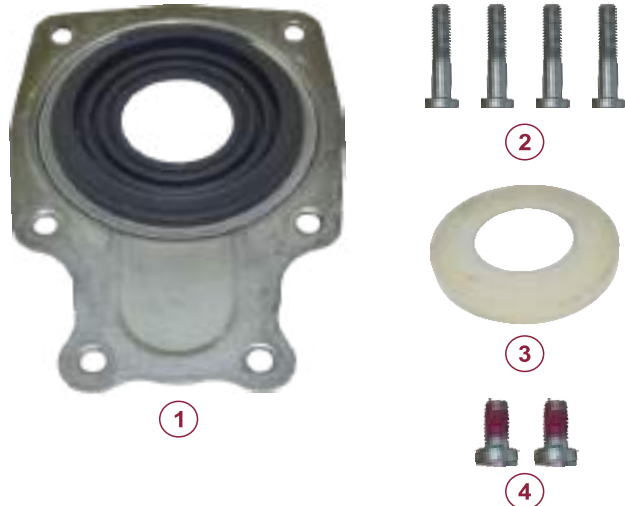


ENB No:	2M0194
OEM No:	
Application:	ELSA
Description:	Caliper Sensor Cap
1-EP33	Plastic Plug
2-ES31	Plug Sheet
3-EC35	Screw 10*1,25*20mm
4-EK38	Seal
5-EK59	O-Ring

ENB No:	2M0195
OEM No:	68321678PK
Application:	ELSA 1
Description:	Caliper Locking Shim
1-ES32	Locking Shim



ENB No:	2M0196
OEM No:	Sj1212 - 5001831176 - 81508026007 - 0004230082
Application:	MB, MAN, RVI
Description:	Caliper Cover and Bolts
1-ES33	Cover
2-EC36	Screw 8*40mm
3-EP34	Dust Cover
4-EC37	Screw 8*15mm



ENB No:	2M0197
OEM No:	
Application:	MB, MAN, RVI
Description:	Caliper Clutch System Small (Right)
1-ET176	Gear
2-EY19	Torsion Spring
3-ES34	Wavy Washer
4-EK60	Rubber Cap
5-ET177	Adjuster Bolt 6*1,5*50mm

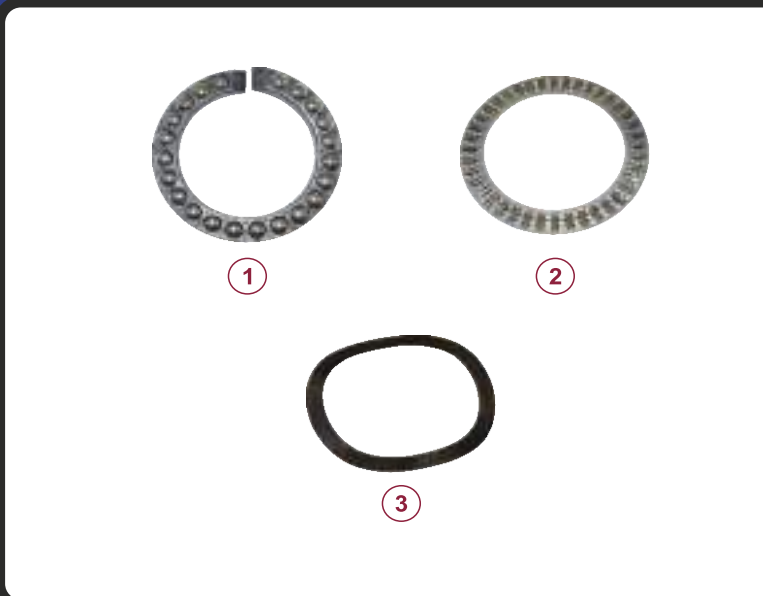




ENB No:	2M0198
OEM No:	
Application:	MB, MAN, RVI
Description:	Clapier Clutch System Small (Left)
1-ET176	Gear
2-EY20	Torsion Spring
3-ES34	Wavy Washer
4-EK60	Rubber Cap
5-ET177	Adjusting Bolt 6*1,5*50mm



ENB No:	2M0199
OEM No:	654147780414PK
Application:	MB, MAN, RVI
Description:	Caliper Dust Cover
1-EK48	Dust Cover



ENB No:	2M0200
OEM No:	
Application:	MB, MAN RVI
Description:	Caliper Roller Bearing Kit
1-ER11	Roller Bearing
2-ER12	Roller Bearing
3-ES41	Wavy Washer

ENB No: 2M0201

OEM No:

Application: MB, MAN, RVI

Description: Caliper Roller Bearing

1-ER11 Roller Bearing



ENB No: 2M0202

OEM No:

Application: MB, MAN, RVI

Description: Caliper Roller Bearing

1-ER12 Roller Bearing



ENB No: 2M0203

OEM No:

Application: MB, MAN, RVI

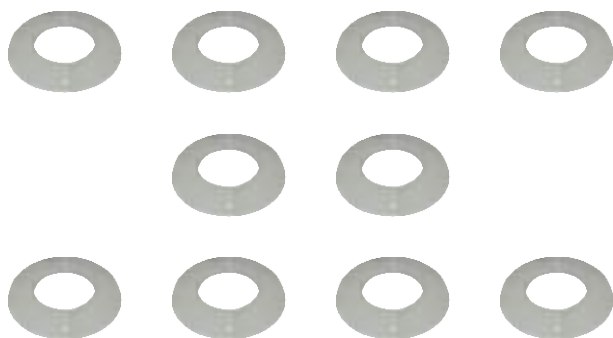
Description: Caliper Gear

1-ET176 Gear





ENB No:	2M0204
OEM No:	
Application:	MB, MAN, RVI
Description:	Clapier Wavy Washer
1-ES41	Wavy Washer



ENB No:	2M0205
OEM No:	68320507PK10
Application:	MB, MAN, RVI
Description:	Caliper Dust Cover
1-EP35	Dust Cover



①



②

ENB No:	2M0206
OEM No:	
Application:	ELSA 2
Description:	Caliper Pad Wear Assembly
1-ET179	Pim
2-EY16	Spring



ENB No:	2M0207
OEM No:	Sj4111 - 3092283
Application:	B DUCO - C DUCO - D DUCO - LE DUCO
Description:	Caliper Pad Wear Assembly
1-EP36	Pin
2-EY17	Spring



1



2

ENB No:	2M0208
OEM No:	MCK1296 - MCK1311 - 85109883
Application:	ELSA 195, ELSA 225 - Ex 225
Description:	Caliper Pad Wear Assembly
1-EP37	Pin
2-EY16	Spring



1

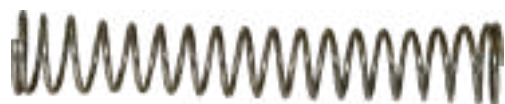


2

ENB No:	2M0209
OEM No:	
Application:	ELSA 2
Description:	Caliper Pad Wear Assembly
1-EP38	Pin
2-EY16	Spring



1



2

ENB No:	2M0210
OEM No:	MCK1240
Application:	ELSA 2
Description:	Caliper Repair Kit
1-EC26	Screw 16*1,5*40mm
2-EP38	Pin
3-EY16	Spring



1



2



3



1



2

ENB No:	2M0211
OEM No:	MCK1174 - 5001858719 - 5001866486 - 85107958
Application:	ELSA 2, ELSA 195, ELSA 225
Description:	Caliper Pad Retainer
1-ES42	Pad Retainer
2-EC38	Screw 10*1,25*20mm



1



2

ENB No:	2M0212
OEM No:	MCK1262
Application:	MAN TGA
Description:	Caliper Pad Retainer
1-ES43	Pad Retainer
2-EC38	Screw 10*1,25*20mm



1



2

ENB No:	2M0213
OEM No:	MCK1264
Application:	C DUCO, D DUCO, LE DUCO
Description:	Caliper Pad Retainer
1-ES44	Pad Retainer
2-EC38	Screw 10*1,25*20mm



1



2

ENB No:	2M0214
OEM No:	MCK1263
Application:	B DUCO
Description:	Caliper Pad Retainer
1-ES45	Pad Retainer
2-EC38	Screw 10*1,25*20mm

# *EN*MAK



# WABCO

[www.enmakoto.com](http://www.enmakoto.com)



ENB No:	3W0001
OEM No:	
Application:	19,5 - 22,5
Description:	Clapier Adjusting Mechanism Complete
1-ET180	Adjusting Mechanism
2-EY21	Spring



ENB No:	3W0002
OEM No:	
Application:	17,5
Description:	Caliper Adjusting Mechanism Complete
1-ET181	Adjusting Mechanism
2-EY21	Spring



ENB No:	3W0003
OEM No:	
Application:	17,5
Description:	Caliper Adjusting Mechanism Complete
1-ET182	Adjusting Mechanism
2-EY21	Spring

ENB No:	3W0004
OEM No:	
Application:	19.5 - 22.5
Description:	Caliper Bridge
1-ET183	Bridge



ENB No:	3W0005
OEM No:	
Application:	19.5 - 22.5
Description:	Caliper Bridge
1-ET183	Bridge
2-EY21	Spring



①



②

ENB No:	3W0006
OEM No:	
Application:	17.5
Description:	Caliper Bridge
1-ET184	Bridge





ENB No:	3W0007
OEM No:	
Application:	17,5
Description:	Clapier Bridge
1-ET184	Bridge
2-EY21	Spring



ENB No:	3W0008
OEM No:	
Application:	19,5 - 22.5
Description:	Caliper Adjusting Mechanism
1-ET194	Adjusting Mechanism



ENB No:	3W0009
OEM No:	
Application:	17,5
Description:	Caliper Adjusting Mechanism
1-ET196	Adjusting Mechanism

ENB No:	3W0010
OEM No:	
Application:	17.5
Description:	Caliper Adjusting Mechanism
1-ET197	Adjusting Mechanism



ENB No:	3W0011
OEM No:	
Application:	19.5 - 22.5
Description:	Caliper Calibration Bolt
1-ET188	Calibration Bolt



ENB No:	3W0012
OEM No:	
Application:	17.5
Description:	Caliper Calibration Bolt
1-ET190	Calibration Bolt





ENB No:	3W0013
OEM No:	
Application:	17,5
Description:	Clapier Calibration Bolt (Slotted)
1-ET192	Calibration Bolt



ENB No:	3W0014
OEM No:	
Application:	17.5 - 19.5 - 22.5
Description:	Caliper Lever
1-ET193	Lever



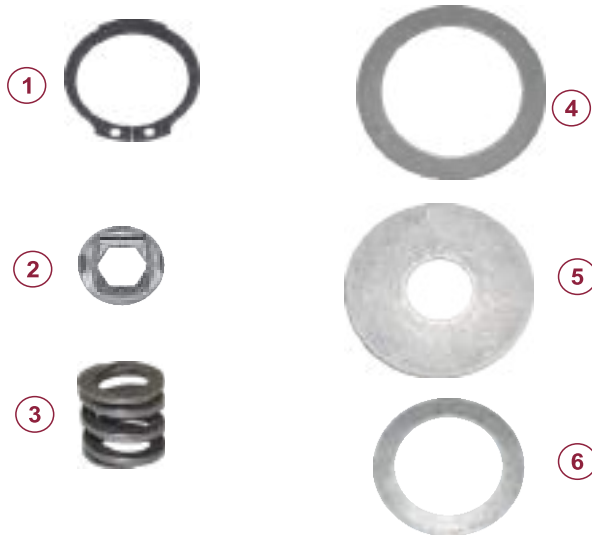
ENB No:	3W0015
OEM No:	
Application:	17.5 - 19.5 - 22.5
Description:	Caliper Lever
1-ET193	Lever
2-EY21	Spring



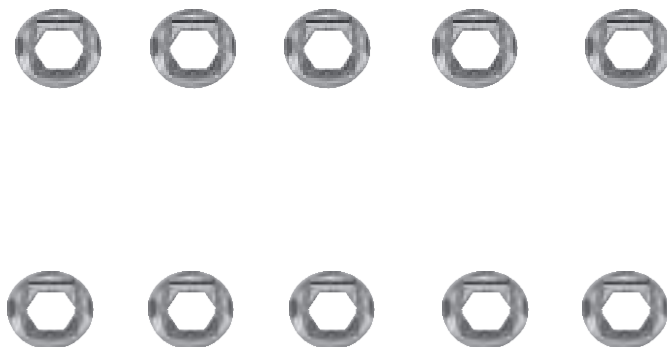
ENB No:	3W0016
OEM No:	
Application:	17.5 - 19.5 - 22.5
Description:	Caliper Roller Bearing
1-ER13	Roller Bearing



ENB No:	3W0017
OEM No:	
Application:	17.5 - 19.5 - 22.5
Description:	Caliper Repair Kit
1-ESK3	Snap Ring
2-ET189	Lock Washer
3-EY23	Spring
4-ES53	Washer
5-ES54	Washer
6-ES55	Washer



ENB No:	3W0018
OEM No:	
Application:	17.5 - 19.5 - 22.5
Description:	Caliper Lock Washer
1-ET189	Lock Washer





ENB No:	3W0019
OEM No:	12999738VT - 1505890 - 3434382701 - 79787365
Application:	19.5 - 22.5
Description:	Caliper Repair Kit
1-ET37	Guide Pin 38*118mm
2-EC40	Screw 16*1,5*120mm
3-ET38	Guide Pin 38*76mm
4-EC1	Screw 16*1,5*80mm
5-ES57	Metal Ring
6-EK69	Rubber Tap
7-ES58	Metal Tap
8-ES59	Metal Tap
9-EK66	Boot
10-EK67	Boot
11-EK70	Boot (White)
12-EB20	Bush



ENB No:	3W0020
OEM No:	12999776 - 34344382800 - 1068119 - 6500700 - 501866626 - 85108166 - 1628065
Application:	19.5, 22.5
Description:	Caliper Repair Kit
1-ET37	Guide Pin 38*118mm
2-EC40	Screw 16*1,5*120mm
3-ET38	Guide Pin 38*76 mm
4-EC1	Screw 16*1,5*80mm
5-ES57	Metal Ring
6-EK66	Boot
7-EK67	Boot
8-EK69	Rubber Tap
9-ES58	Metal Tap
10-ES59	Metal Tap
11-EB20	Bush

ENB No: 3W0021

OEM No: 12999678VT - 5021170488 - 0865966

Application: 19.5 - 22.5

Description: Caliper Repair Kit

- 1-ET37 Guide Pin 38\*118mm
- 2-EC40 Screw 16\*1,5\*120mm
- 3-ET38 Guide Pin 38\*76mm
- 4-EC1 Screw 16\*1,5\*80mm
- 5-ES57 Metal Ring
- 6-EK70 Boot (White)
- 7-EK67 Boot
- 8-EK69 Rubber Tap
- 9-ES58 Metal Tap
- 10-ES59 Metal Tap
- 11-EB20 Bush



ENB No: 3W0022

OEM No: 12999746VT - 144055025 - 261112999746VT - 5001858722

Application: 19.5

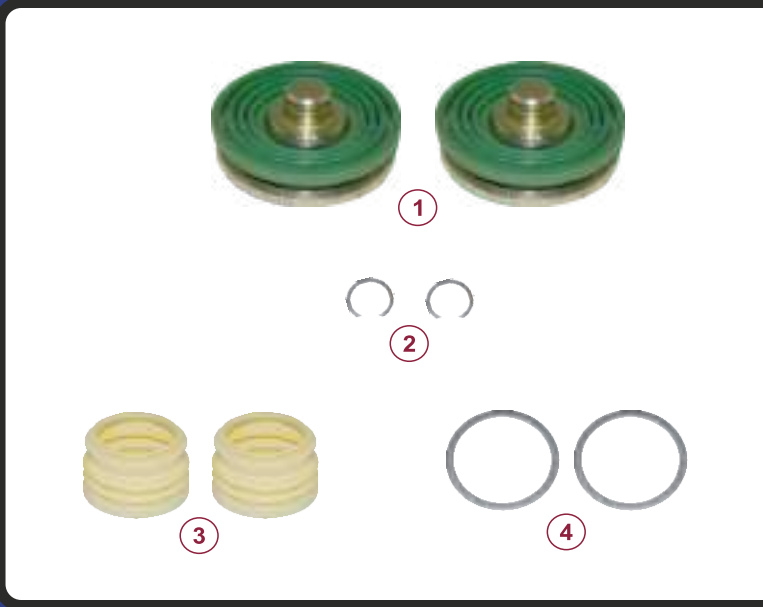
Description: Caliper Repair Kit

- 1-ET37 Guide Pin 38\*118mm
- 2-EC40 Screw 16\*1,5\*120mm
- 3-ET38 Guide Pin 38\*76 mm
- 4-EC1 Screw 16\*1,5\*80mm
- 5-ES57 Metal Ring
- 6-EK70 Boot (White)
- 7-EK71ET195 Tappet and Boot
- 8-ESK4 Snap Ring
- 9-EK69 Rubber Tap
- 10-ES58 Metal Tap
- 11-ES59 Metal Tap
- 12-EB20 Bush





ENB No:	3W0023
OEM No:	12999677VT - 5021170487 - 0865965
Application:	19.5
Description:	Caliper Repair Kit
1-EC40	Screw 16*1,5*120mm
2-EC1	Screw 16*1,5*80mm
3-ES57	Metal Ring
4-EK70	Boot (White)
5-EK71ET195	Tappet and Boot
6-ESK4	Snap Ring
7-EK69	Rubber Tap
8-ES58	Metal Tap
9-ES59	Metal Tap



ENB No:	3W0024
OEM No:	
Application:	19,5
Description:	Caliper Repair Kit
1-EK71ET195	Tappet and Boot
2-ESK4	Snap Ring
3-EK70	Boot (White)
4-ES57	Metal Ring



ENB No:	3W0025
OEM No:	MCK1299 - 3095628 - 85107718
Application:	19.5
Description:	Caliper Tappet Repair Kit
1-EK71ET195	Tappet and Boot
2-ESK4	Snap Ring

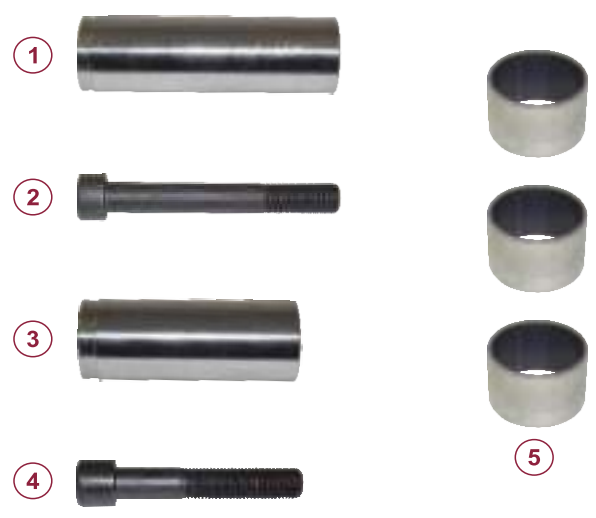
ENB No:	3W0026
OEM No:	
Application:	19.5 - 22.5
Description:	Caliper Boot Kit
1-EK66	Boot
2-EK67	Boot
3-ES57	Metal Ring



ENB No:	3W0027
OEM No:	
Application:	19.5 - 22.5
Description:	Caliper Boot Kit
1-EK70	Boot (White)
2-EK67	Boot
3-ES57	Metal Ring



ENB No:	3W0028
OEM No:	
Application:	19.5 - 22.5
Description:	Caliper Repair Kit
1-ET37	Guide Pin 38*118mm
2-EC40	Screw 16*1,5*120mm
3-ET38	Guide Pin 38*76mm
4-EC1	Screw 16*1,5*80mm
5-EB20	Bush





ENB No:	3W0029
OEM No:	
Application:	19.5 - 22.5
Description:	Caliper Repair Kit
1-ET37	Guide Pin 38*118mm
2-EC40	Screw 16*1,5*120mm
3-ET38	Guide Pin 38*76mm
4-EC1	Screw 16*1,5*80mm
5-EC41	Screw 10*1*40mm



ENB No:	3W0030
OEM No:	
Application:	17,5
Description:	Caliper Repair Kit
1-ET39	Guide Pin 29*91mm
2-EC3	Screw 16*1,5*87mm
3-ET40	Guide Pin 29*77mm
4-EC2	Screw 16*1,5*70mm
5-ECN3	Gasket
6-EK7	Boot
7-EK72	Boot
8-EK69	Rubber Tap
9-ES60	Metal Tap
10-EK68	Sael
11-EB21	Bush
12-EC41	Screw 10*1*40mm



ENB No:	3W0031
OEM No:	12999699VT - 12999702 - 1436853
Application:	17.5
Description:	Caliper Repair Kit
1-ET39	Guide Pin 29*91mm
2-EC3	Screw 16*1,5*87mm
3-ET40	Guide Pin 29*77mm
4-EC2	Screw 16*1,5*70mm
5-EK67	Boot
6-EK72	Boot
7-EB21	Bush
8-ES60	Metal Tap
9-EK69	Rubber Tap

ENB No:	3W0032
OEM No:	1999704VT - 5001852880 - 1519363 261112999704VT
Application:	17.5
Description:	Caliper Repair Kit
1-EK72	Boot
2-EC3	Screw 16*1,5*87mm
3-EB21	Bush
4-EK69	Rubber Tap
5-EK67	Boot
6-EC2	Screw 16*1,5*70mm
7-ES60	Metal Tap



ENB No:	3W0033
OEM No:	12999580VT - 81508226003 - 1517407
Application:	17.5
Description:	Caliper Repair Kit
1-EK72	Boot
2-EK67	Boot
3-EB21	Bush
4-ES60	Metal Tap
5-EC41	Screw 10*1*40mm
6-EC3	Screw 16*1,5*87mm
7-EC2	Screw 16*1,5*70mm
8-EK68	Seal
9-EK69	Rubber Tap
10-ECN3	Gasket

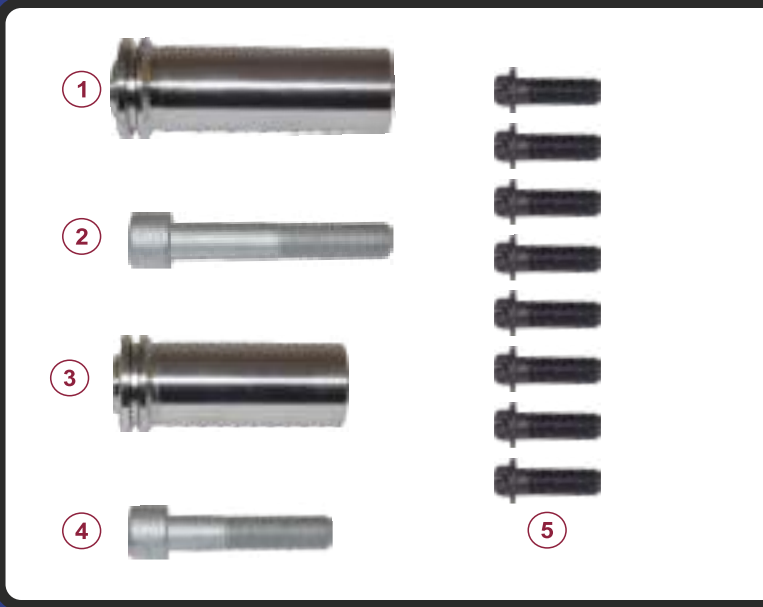


ENB No:	3W0034
OEM No:	
Application:	17.5
Description:	Caliper Repair Kit
1-EK72	Boot
2-EK67	Boot
3-EB21	Bush
4-ES60	Metal Tap





ENB No:	3W0035
OEM No:	
Application:	17.5
Description:	Caliper Boot Kit
1-EK72	Boot
2-EK67	Boot



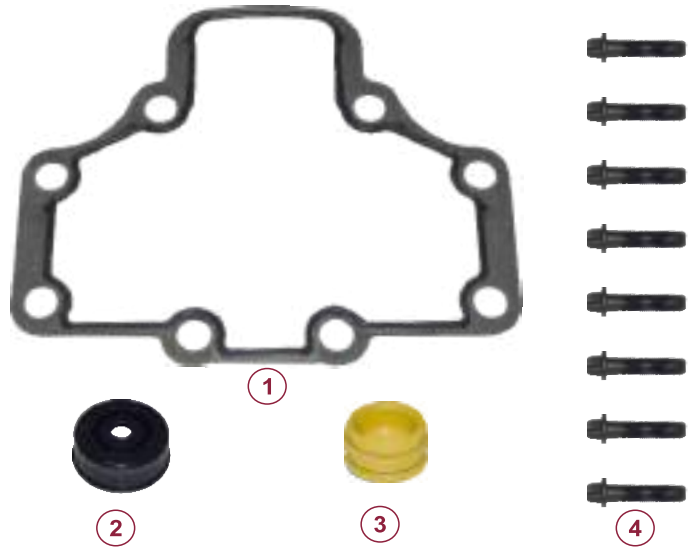
ENB No:	3W0036
OEM No:	
Application:	17,5
Description:	Caliper Repair Kit
1-ET39	Guide Pin 29*91mm
2-EC3	Screw 16*1,5*87mm
3-ET40	Guide Pin 29*77mm
4-EC2	Screw 16*1,5*70mm
5-EC41	Screw 10*1*40mm



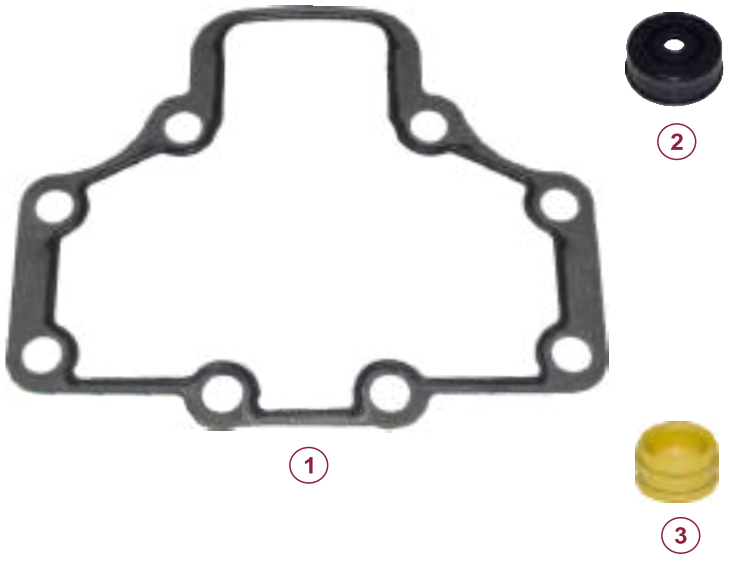
ENB No:	3W0037
OEM No:	
Application:	17.5
Description:	Caliper Repair Kit
1-ET39	Guide Pin 29*91mm
2-EC3	Screw 16*1,5*87mm
3-ET40	Guide Pin 29*77mm
4-EC2	Screw 16*1,5*70mm
5-EB21	Bush



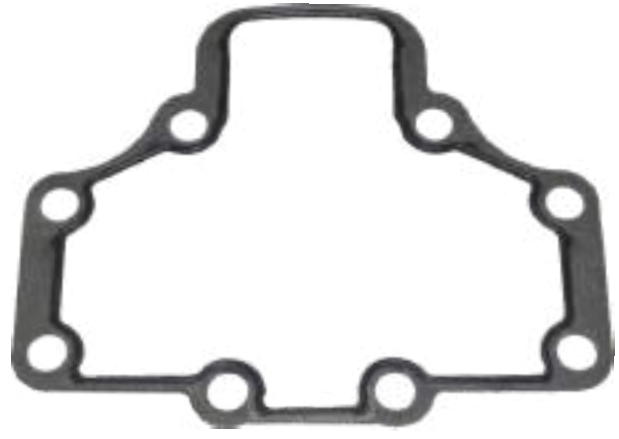
ENB No:	3W0038
OEM No:	
Application:	17.5
Description:	Caliper Gasket Kit
1-ECN3	Gasket
2-EK68	Seal
3-EK69	Rubber Tap
4-EC41	Screw 10*1*40mm



ENB No:	3W0039
OEM No:	
Application:	17.5 - 19.5 - 22.5
Description:	Caliper Repair Kit
1-ECN3	Gasket
2-EK68	Seal
3-EK69	Rubber Tap



ENB No:	3W0040
OEM No:	
Application:	17.5 - 19.5 - 22.5
Description:	Caliper Gasket
1-ECN3	Gasket





1



2



3

ENB No:	3W0041
OEM No:	6401759202 - 3434382900 - 09066197 - 13C3508278AB
Application:	17.5 - 19.5 - 22.5
Description:	Caliper Repair Kit
1-EK67	Boot
2-EK68	Seal
3-EK69	Rubber Tap



ENB No:	3W0042
OEM No:	
Application:	22,5
Description:	Caliper Push Plate Slotted (Right)
1-ET198	Push Plate Slotted



ENB No:	3W0043
OEM No:	
Application:	22.5
Description:	Caliper Push Plate Slotted (Left)
1-ET199	Push Plate Slotted

ENB No:	3W0044
OEM No:	
Application:	19.5
Description:	Caliper Push Plate Slotted (Right)
1-ET200	Push Plate Slotted



ENB No:	3W0045
OEM No:	
Application:	19.5
Description:	Caliper Push Plate Slotted (Left)
1-ET201	Push Plate Slotted



ENB No:	3W0046
OEM No:	
Application:	17.5
Description:	Caliper Push Plate Slotted (Right)
1-ET202	Push Plate Slotted





ENB No:	3W0047
OEM No:	
Application:	17.5
Description:	Caliper Push Plate Slotted (Left)
1-ET203	Push Plate Slotted



ENB No:	3W0048
OEM No:	
Application:	17,5
Description:	Caliper Push Plate With Pin (Right)
1-ET204	Push Plate White Pin



ENB No:	3W0049
OEM No:	
Application:	17.5
Description:	Caliper Push Plate White Pin (Left)
1-ET205	Push Plate White Pin

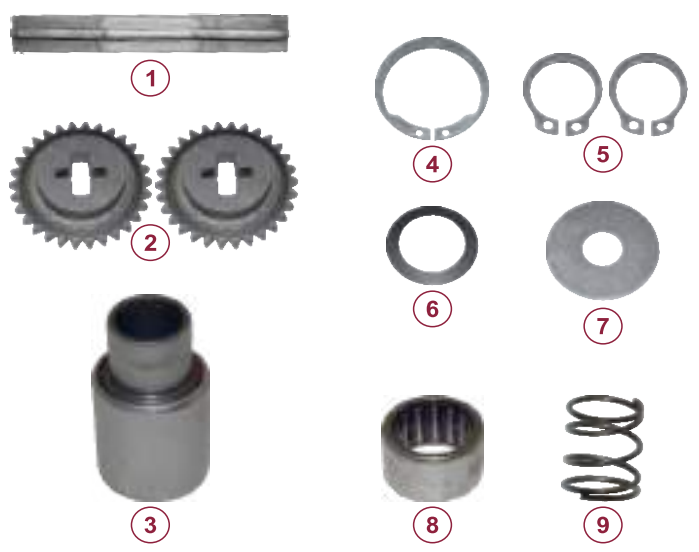
ENB No:	3W0050
OEM No:	
Application:	22.5
Description:	Caliper Lever
1-ET231-1	Lever



ENB No:	3W0051
OEM No:	12999580VT - 81508226003 - 1517407
Application:	22.5
Description:	Caliper Lever
1-ET231	Lever



ENB No:	3W0052
OEM No:	
Application:	22.5
Description:	Caliper Lever Repair Kit
1-ET233	Lever Pin
2-ET232	Adjusting Gear
3-ET249	Mechanism
4-ESK7	Snap Ring
5-ESK8	Snap Ring
6-ES80	Washer
7-ES81	Washer
8-ER25	Roller Bearing
9-EY27	Spring

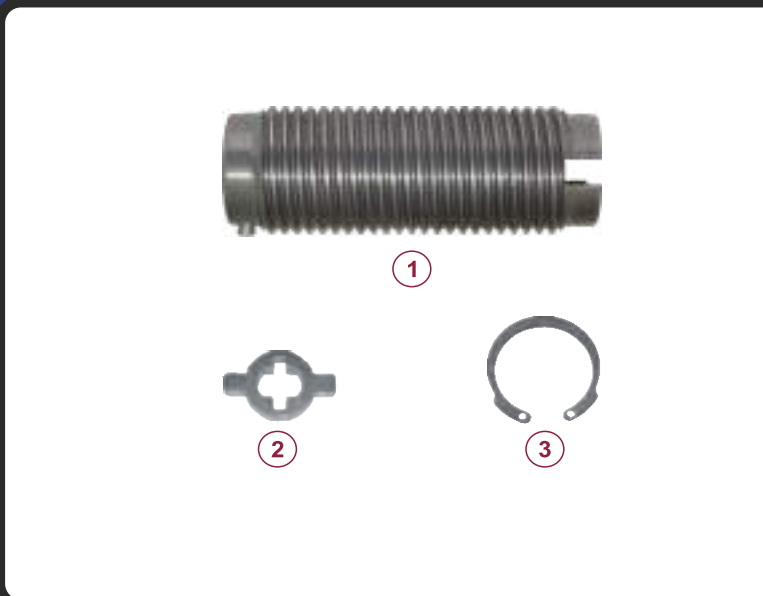




ENB No:	3W0053
OEM No:	
Application:	19.5
Description:	Caliper Bridge
1-ET206	Bridge
2-EY25	Spring



ENB No:	3W0054
OEM No:	
Application:	19,5
Description:	Caliper Bridge Assembly
1-ET206	Bridge
2-ET207	Calibration Bolt (Left)
3-ET208	Calibration Bolt (Right)
4-EY25	Spring
5-ET209	Locking Shim



ENB No:	3W0055
OEM No:	
Application:	19.5
Description:	Caliper Calibration Bolt Kit (Left)
1-ET207	Calibration Bolt (Left)
2-ET209	Locking Shim
3-ESK9	Snap Ring

ENB No:	3W0056
OEM No:	
Application:	19.5
Description:	Caliper Calibration Bolt Kit (Right)
1-ET208	Calibration Bolt (Right)
2-ET209	Locking Shim
3-ESK9	Snap Ring



①



②



③

ENB No:	3W0057
OEM No:	
Application:	19.5
Description:	Caliper Calibration Bolt (Left)
1-ET208	Calibration Bolt (Left)



ENB No:	3W0058
OEM No:	
Application:	19.5
Description:	Caliper Calibration Bolt (Right)
1-ET207	Calibration Bolt (Right)





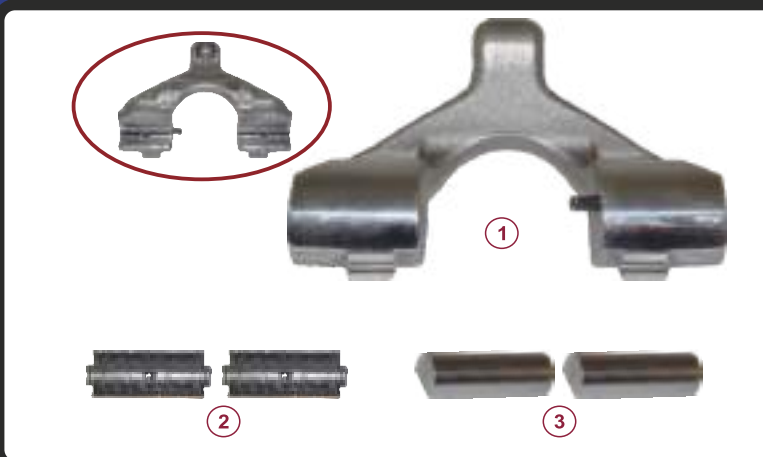
ENB No:	3W0059
OEM No:	
Application:	19.5 (DUBLE PISTON)
Description:	Caliper Roller Bearing
1-ER26	Roller Bearing



ENB No:	3W0060
OEM No:	
Application:	19.5 (DUBLE PISTON)
Description:	Caliper Pad Retainer
1-ER24	Roller Bearing



ENB No:	3W0061
OEM No:	
Application:	Maxx22
Description:	Caliper Bridge Assembly
1-ET246	Bridge
2-ET223	Calibration Bolt
3-EY28	Spring



ENB No:	3W0062
OEM No:	
Application:	Maxx22
Description:	Caliper Lever
1-ET227	Lever
2-ES68	Lever Bearing
3-ET228	Pin



ENB No:	3W0063
OEM No:	
Application:	Maxx22
Description:	Caliper Bridge
1-ET230	Bridge
2-Ey28	Spring



ENB No:	3W0064
OEM No:	
Application:	Maxx22
Description:	Caliper Calibration Bolt
1-ET223	Caşibration Bolt



ENB No:	3W0065
OEM No:	
Application:	Maxx22
Description:	Caliper Adjusting Mechanism
1-ET273	Adjusting Mechanism



ENB No:	3W0066
OEM No:	640.322.926.2
Application:	Maxx22
Description:	Caliper Repair Kit
1-ET37	Guide Pin 38*118mm
2-EC40	Screw 16*1,5*120mm
3-ET38	Guide Pin 38*76mm
4-EC1	Screw 16*1,5*80mm
5-EB20	Bush
6-ES58	Metal Tap
7-EK66	Boot
8-ES57	Metal Ring
9-EK67	Boot
10-EK69	Rubber Tap

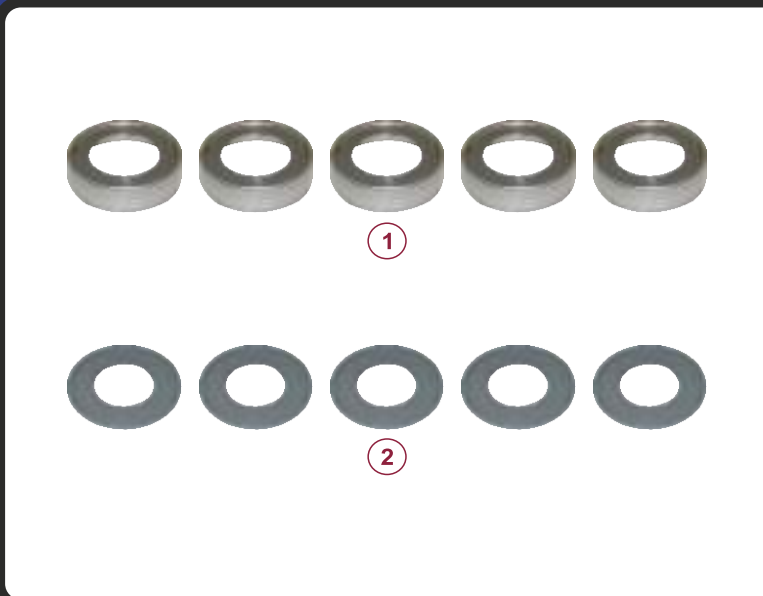




ENB No:	3W0067
OEM No:	
Application:	Maxx22
Description:	Caliper Roller Bearing
1-ER23	Roller Bearing



ENB No:	3W0068
OEM No:	
Application:	Maxx22
Description:	Caliper Roller Bearing
1-ER23	Roller bBearing
2-ES68	Lever Bearing
3-ET228	Pin



ENB No:	3W0069
OEM No:	
Application:	Maxx22
Description:	Caliper Repair Kit
1-ES67	Metal Tap
2-EK83	Seal

# *ENMAK*



# SAF

[www.enmakoto.com](http://www.enmakoto.com)



ENB No:	S50001
OEM No:	
Application:	
Description:	Caliper Mechanism Complete Set
1-ET269	Mechanism Complete



ENB No:	5S0002
OEM No:	
Application:	
Description:	Caliper Mechanism Plate
1-ET240	Mechanism Plate

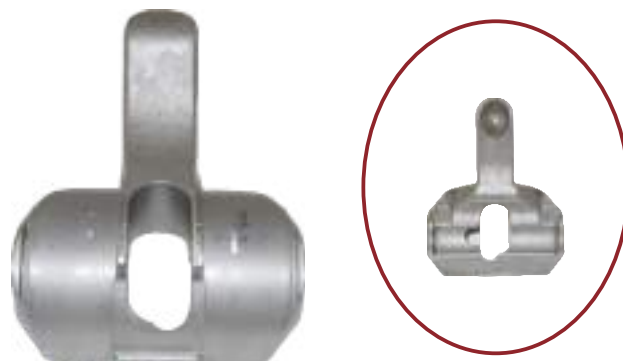


ENB No:	S0003
OEM No:	
Application:	
Description:	Caliper Calibration Bolt
1-ET241	Calibration Bolt



ENB No:	5S0004
OEM No:	
Application:	
Description:	Caliper Mechanism Bearing Housing
1-ET242	Mechanism Bearing Housing

ENB No:	5S0005
OEM No:	
Application:	
Description:	Caliper Lever
1-ET243	Lever



ENB No:	5S0006
OEM No:	
Application:	
Description:	Caliper Adjusting Mechanism
1-ET244	Adjusting Mechanism



ENB No:	5S0007
OEM No:	3434386100 - 95397
Application:	
Description:	Caliper Repair Kit
1-ET229	Guide Pin 35,5*120mm
2-EC1	Screw 16*1,5*80mm
3-ET238	Guide Pin 35*87mm
4-EB17	Bush
5-EB26	Bush
6-ES74	Metal cap
7-ES87	Metal Cap
8-EP45	Bush (Plastic)
9-EP48	Plasting Ring
10-EK80	Snap Rin





ENB No:	5S0008
OEM No:	
Application:	
Description:	Caliper Roller Bearing
1-ER18	Roller Bearing
2-ET245	Pin

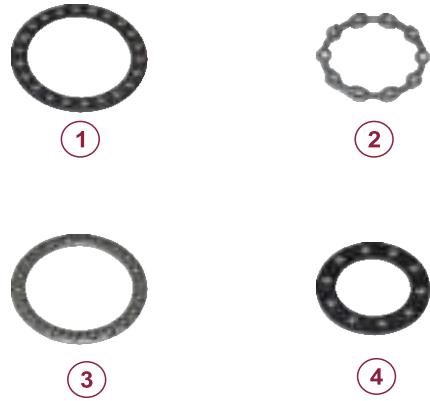


ENB No:	5S0009
OEM No:	
Application:	
Description:	Caliper Roller Bearing
1-ER18	Roller Bearing



ENB No:	5S0010
OEM No:	
Application:	
Description:	Caliper Roller Bearing
1-ER17	Roller Bearing

ENB No:	5S0011
OEM No:	
Application:	
Description:	Caliper Roller Bearing
1-ER19	Roller Bearing
2-ER20	Roller Bearing
3-ER21	Roller Bearing
4-ER22	Roller Bearing

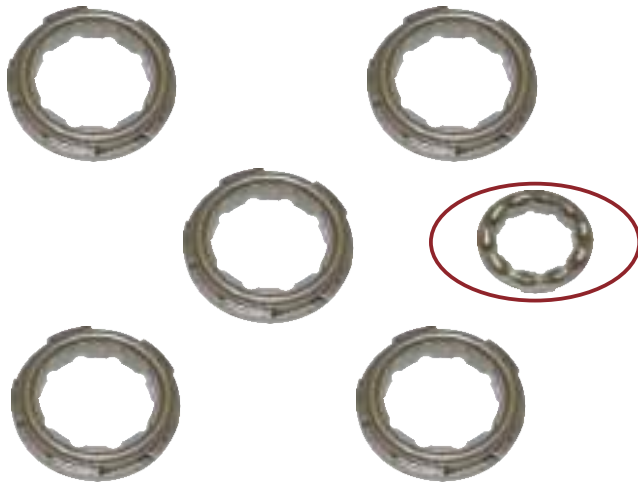


ENB No:	5S0012
OEM No:	
Application:	
Description:	Caliper Repair Kit
1-EP44	Plastic Tap
2-EP39	Plastic Gear
3-EP40	Plastic Tap
4-EP41	Plastic Gear
5-EP42	O-Ring
6-EP43	Plastic Tap

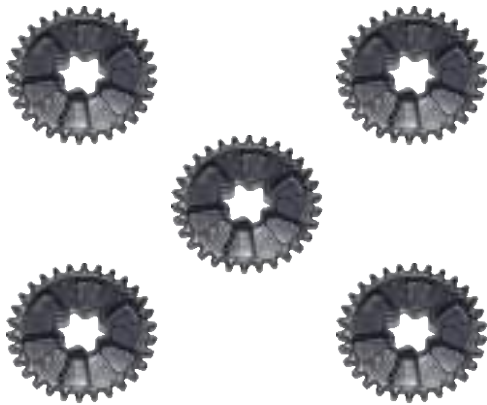


ENB No:	5S0013
OEM No:	3434386300
Application:	
Description:	Caliper Adjusting Dust Boot
1-EK79	Tappet Boot





ENB No:	5S0014
OEM No:	
Application:	
Description:	Caliper Bearing Housing
1-ET239	Bearing Housing



ENB No:	5S0015
OEM No:	
Application:	
Description:	Caliper Plastic Adjuster Gear Kit
1-EP39	Plastic Gear



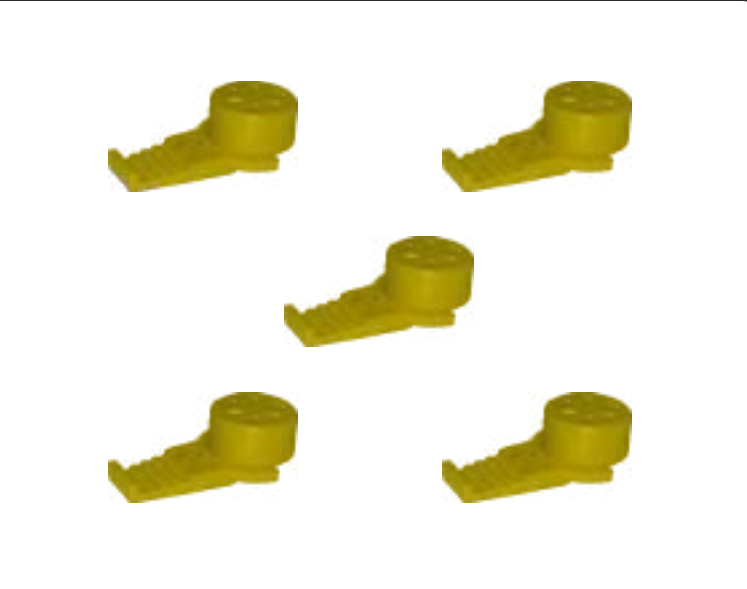
ENB No:	5S0016
OEM No:	
Application:	
Description:	Caliper Plastic Tap Kit
1-EP10	Plastic Tap



ENB No:	5S0017
OEM No:	
Application:	
Description:	Caliper Plastik Repair Kit
1-EP41	Plastic Tap
2-EP42	O-Ring



ENB No:	5S0018
OEM No:	
Application:	
Description:	Caliper Plastic Tap Kit
1-EP43	Plastic Tap



ENB No:	5S0019
OEM No:	
Application:	
Description:	Caliper Plastic Tap
1-EP44	Plastic Tap



## KNORR

ENMAK NO	CROSS REFERENCE	PAGE
1K0001		5
1K0002	0004202382 - 0004204982 - 1689313 - 81508226031 - 1756389 K001300 - K000366 - K010603	5
1K0003		5
1K0004	A0004201382 - II370760065	6
1K0005		6
1K0006	81508226032 - 1759811 - K000944 - K010604	6
1K0007	81508226007 - 0004200682 - 0004204248 - II304130065	7
1K0008		7
1K0009	K046523K50	7
1K0010	K001929 - 81508226027 - 0004204282	8
1K0011		8
1K0012		8
1K0013		9
1K0014		9
1K0015		9
1K0016		10
1K0017		10
1K0018		10
1K0019		11
1K0020		11
1K0021		11
1K0022		12
1K0023		12
1K0024		12
1K0025		13
1K0026		13
1K0027		13
1K0028		14
1K0029		14
1K0030		14
1K0031		15
1K0032		15
1K0033		15
1K0034		16
1K0035		16
1K0036		16
1K0037		17
1K0038		17
1K0039		17
1K0040		18
1K0041		18
1K0042		18
1K0043		19
1K0044		19
1K0045		19
1K0046		20
1K0047		20
1K0048		20
1K0049		21
1K0050		21
1K0051		21
1K0052		22
1K0053		22
1K0054		22
1K0055		23

KNORR		
ENMAK NO	CROSS REFERENCE	PAGE
1K0056		23
1K0057		23
1K0058		24
1K0059		24
1K0060		24
1K0061	Z001548	25
1K0062		25
1K0063		25
1K0064		26
1K0065		26
1K0066		26
1K0067		27
1K0068		27
1K0069		27
1K0070		28
1K0071		28
1K0072		28
1K0073		29
1K0074		29
1K0075		29
1K0076		30
1K0077		30
1K0078		30
1K0079		31
1K0080		31
1K0081		31
1K0082		32
1K0083		32
1K0084		32
1K0085		33
1K0086		33
1K0087		33
1K0088		34
1K0089		34
1K0090		34
1K0091		35
1K0092		35
1K0093		35
1K0094	K000365 - 0004202282	36
1K0095	K001470 - 0004203482	36
1K0096	1390427 - 1448915 - 93162048 - II328090062 - II339680062 - II369100062 0004200782 - 0004201282 - 81508226009 - 0501211763	37
1K0097	K000687 - 1603326	37
1K0098	K000935	37
1K0099	0004201182 - 0501211047 - II358510062 - 1415149	38
1K0100		38
1K0101	K000132 - II304130062 - 97131439	38
1K0102	II179320062	39
1K0103	II197140062	39
1K0104	II197330062 - 1390426	39
1K0105	K031844K50 - 1906779	40
1K0106	K067417K50	40
1K0107	K000472 - 42541412 - 81508226019	41
1K0108	K000472 - 42541412 - 81508226019	41
1K0109	K000375	42
1K0110	K000375	42

## KNORR

ENMAK NO	CROSS REFERENCE	PAGE
1K0111	K001532	42
1K0112	K001532	43
1K0113	II39769F0062 - 42537451	43
1K0114	K001915 - K028451	43
1K0115	3434382000	44
1K0116	K048371K50	44
1K0117	K048396K50	45
1K0118	K010766 - 0004205082 - K004100 - 3434381500	45
1K0119	K010813	45
1K0120	K001274	46
1K0121	K001925 - 0004204382	46
1K0122	K001928 - 81508226026	46
1K0123	0024200383 - 0980102970 - K000696 - II310370066	47
1K0124	K013007	47
1K0125	K012912	47
1K0126	K060760	48
1K0127	K006018	48
1K0128	K048276	48
1K0129	K048278	49
1K0130	K003459	49
1K0131	K047473	50
1K0132	1448910 - II368470064 - II339830064	50
1K0133		50
1K0134	K000697	51
1K0135		51
1K,136	K000698	51
1K0137		52
1K0138		52
1K0139		52
1K0140		53
1K0141		53
1K0142		53
1K0143		54
1K0144		54
1K0145		54
1K0146		55
1K0147		55
1K0148		55
1K0149		56
1K0150		56
1K0151		56
1K0152	K001301 - 81508226025	57
1K0153	II39769F0063	57
1K0154	81508226024 - 14394993 - K000945 - II17934004	57
1K0155	K000029 - 0004234687 - 81508226021	58
1K0156	K003902	58
1K0157	K000133	58
1K0158	6274200186 - 0004202482 - II19712004 - K000129	59
1K0159	II40929F	59
1K0160	II40699F	59
1K0161	II40875F	60
1K0162	K047474	60
1K0163		60
1K0164	II328090061	61
1K0165	II350470063	61



MERITOR		
ENMAK NO	CROSS REFERENCE	PAGE
2M0001		66
2M0002	MCK1171	66
2M0003	MCK1261	67
2M0004		67
2M0005	DSB7	68
2M0006		68
2M0007		68
2M0008		69
2M0009		69
2M0010		69
2M0011	DSB104	70
2M0012		70
2M0013	MCK1192	71
2M0014		71
2M0015		71
2M0016		72
2M0017	MCK1293 - DSB6R	72
2M0018	MCK1292 - DSB6L	72
2M0019		73
2M0020		73
2M0021	MCK1291	74
2M0022	MCK1290	74
2M0023	DSB5R	74
2M0024	DSB5L	75
2M0025		75
2M0026	MCK1294	75
2M0027	MCK1168	76
2M0028		76
2M0029		76
2M0030		77
2M0031		77
2M0032		77
2M0033		78
2M0034		78
2M0035		78
2M0036		79
2M0037		79
2M0038		79
2M0039		80
2M0040		80
2M0041		80
2M0042		81
2M0043		81
2M0044		81
2M0045	MCK1344 - DSB3	82
2M0046	1205*2577 - 21225226	82
2M0047	MCK1154	82
2M0048	MCK1159	83
2M0049		83
2M0050		83
2M0051		84
2M0052		84
2M0053		84
2M0054		85
2M0055		85

MERITOR		
ENMAK NO	CROSS REFERENCE	PAGE
2M0056		85
2M0057		86
2M0058		86
2M0059		86
2M0060		87
2M0061	MCK1113 - SJ4110 - 85102093 - 3092267	87
2M0062	MCK1111 - SJ4102 - 85102095 - 3092265	87
2M0063	MCK1112 - SJ4103 - 85102096 - 3092266	88
2M0064	68322297PK10	88
2M0065	MCK1237 - 3092263	88
2M0066		89
2M0067	MCK1236 - 3092262	89
2M0068		89
2M0069		90
2M0070,		90
2M0071		90
2M0072		91
2M0073		91
2M0074		91
2M0075		92
2M0076		92
2M0077		92
2M0078		93
2M0079		93
2M0080		93
2M0081		94
2M0082		94
2M0083		94
2M0084		95
2M0085		95
2M0086		95
2M0087		96
2M0088		96
2M0089		96
2M0090		97
2M0091		97
2M0092		97
2M0093		98
2M0094		98
2M0095		98
2M0096	SJ4113 - 3092763	99
2M0097	SJ4114 - 3092764	99
2M0098	MCK1151 - MCK1021 - 85104827	99
2M0099	MCK1152 - MCK1022 - 85104828	100
2M0100		100
2M0101		100
2M0102		101
2M0103		101
2M0104	SJ4031 - 8550893	101
2M0105	SJ4074 - 3098111	102
2M0106	SJ4073 - 3098110	102
2M0107		102
2M0108		103
2M0109		103
2M0110		103

MERITOR		
ENMAK NO	CROSS REFERENCE	PAGE
2M0111		104
2M0112		104
2M0113		104
2M0114		105
2M0115		105
2M0116		105
2M0117		106
2M0118		106
2M0119		106
2M0120	SJ4098 - 3092261	107
2M0121	SJ4112 - 3092329	107
2M0122		107
2M0123		108
2M0124		108
2M0125	SJ4096 - MCK1398 - 85109975 - 3092258	108
2M0126	SJ4097 - MCK1399 - 85109976 - 3092259 - 21109754	109
2M0127		109
2M0128		109
2M0129		110
2M0130		110
2M0131	SJ4108	110
2M0132		111
2M0133	SJ4018	111
2M0134		111
2M0135	SJ4077 - 3098109	112
2M0136		112
2M0137	SJ4053	112
2M0138	68324854PK10	113
2M0139	MCK1139 - 85107913 - 81.50802.6024	113
2M0140	ST1156 - 81.50802.6016	113
2M0141	MCK1238 - 3092264	114
2M0142	MCK1309 - 5001866398	114
2M0143		114
2M0144		115
2M0145	MCK1118 - 85102092	115
2M0146	MCK1116 - 85102094	115
2M0147	MCK1135 - 85103891	116
2M0148	MCK1134 - 85103892	116
2M0149	MCK1298 - 85109890 - 5001866989	116
2M0150	MCK1254	117
2M0151	MCK1317 - 85109899 - 5001866385	117
2M0152	SJ4052 - 5001845385	117
2M0153	SJ4076 - MCK1104 - 5001837006 - 3098108	118
2M0154	MCK1102 - 81.50802.6017 - 81.50802.6020 - 81.50802.6021	118
2M0155	MCK1103 - 81.50802.6022	118
2M0156	MCK1243 - MCK1140 - 5001860791 - 85107912 - 81.50802.6025	119
2M0157	MCK1086 - 5001858717	119
2M0158	SJ4011 - MCK1213 - 0004200676 - 81.50802.6008 - 81.50802.6009 - SJ1228	119
2M0159	SJ4001 - 5001822994	120
2M0160	SJ4032	120
2M0161	SJ4078 - 3098113 - 3097526	120
2M0162	SJ4061	121
2M0163	MCK1086 - 5001858717	121
2M0164	MCK1299 - 3095628 - 85107718	121
2M0165	MCK1065	122













# **ENMAK**

*OTOMOTİV SAN. TİC. LTD. ŞTİ.*

**7419/6 Sk. No:34 5.San. Sit.  
Pınarbaşı - BORNOVA / İZMİR  
Phone: +90 (0232) 478 25 35  
Fax: +90 (0232) 478 36 45  
Gsm: 0 549 479 90 20**

**[www.enmakoto.com](http://www.enmakoto.com)**